



SRI LANKA AUTOMOBILE SPORTS

APPENDIX – G 2021

(Version effective from 21st March 2021 until 31st December 2024)

Amendment 9.0

(As approved at the Administrative Committee Meeting on 24th March 2025)

The Effective Date of the Appendix G 2021 and all its amendments, which is currently in effect from 21st March 2021 until the 31st of December 2024, **will be extended until 31st December 2025.**

Other Amendments: with effect from 25th March 2025

Class Specific Regulations for the following Classes

Amendment for Tires

- GROUP E - NISSAN MARCH CARS UPTO 1000CC (ONE MAKE)
- GROUP H – NISSAN MARCH CARS UPTO 1300CC (ONE MAKE)
- GROUP E - FORD LASER/ MAZDA CARS UPTO 1300CC
- GROUP N – FORD LAZER/ MAZDA CARS UPTO 1300CC
- GROUP N – FORD LAZER/ MAZDA CARS UPTO 1500CC
- GROUP SL –H – MINI 1275 ONE MAKE

For the above classes the permitted brand of the tire for Tarmac circuit meets, Road Races and Hill climbs will be Free. However, the size should be 175 or 185 x 70 x 13. (Sleeks or semi sleeks are not permitted).

For gravel events the tires will be free.

Class Specific Regulations for the following Classes

Amendment for Tires

Group H

- SL H CARS UP TO 1600 ONE MAKE – HONDA 3 DOOR HATCH BACK CARS ONLY (TARMAC AND GRAVEL)

Tire Size for Tarmac Events – 205/50/R15 – Make is Free

Gravel Events - Free

- SLH CARS UP TO 2000 ONE MAKE - SUBARU LEGACY (TARMAC AND GRAVEL)

Tire Size for Tarmac Events – 205/50/R15 – Make is Free

Gravel Events - Free

GROUP T & J

- T AND J UP DIESEL UP TO 5500CC (GRAVEL ONLY)
- T AND J OPEN (GRAVEL ONLY)

Tires are Free

Group SL S

- CARS UP TO 3500CC (TARMAC AND GRAVEL)

The diameter of the rim may not exceed 18"

Tires are Free for Gravel, Rallies, Hill Climbs and Tarmac Events

GROUP GT

CARS UP TO 3500 CC (TARMAC AND GRAVEL)

Tires are Free for Gravel, Rallies, Hill Climbs and Tarmac Events

(Any previous rules stated on the Appendix G or its subsequent amendments on the tires for the above stated classes are not valid from 25th March 2025.)

-End of Amendment -



SRI LANKA AUTOMOBILE SPORTS

APPENDIX – G 2021

(Version effective from 21st March 2021 until 31st December 2024)

Amendment 8.0

(As approved at the Emergency Council Meeting on 19th February 2024)

Class Specific Regulations for the following Classes

Group E

- SLE Cars up to 1300cc – Ford Laser/ Mazda 323 BD, BE, BF Hatch backs & Sedans

Group N

- SLN Cars up to Cars up to 1300 cc - Ford Laser / Mazda 323 - BD, BE, BF, Hatch backs & Sedans
- SLN Cars up to Cars up to 1500 cc - Ford Laser / Mazda 323 - BD, BE, BF, Hatch backs & Sedans

4.3.1 Engine

Camshaft

Camshaft must remain as per manufacturer's specifications.

Addendum (Clarification to the above rule)

The Camshaft should be as per manufacturer's specification.
Optimizing Valve Timing and the use of OFFSET KEYS is strictly PROHIBITED.

This area is blank

Class Specific Regulations for the following Classes

4.1 Class Specific Regulations for GROUP E cars up to and including 1000cc (*One Make – Nissan March*)

(CG10 / CG 13 Engines)

IGNITION : Only the Distributor type IGNITION System is permitted. Individual Plug Coils are prohibited.

Suspension – (Effective from 1st May 2024) FRONT SUSPENSION STRUTS as per manufacturer's Specifications. MODIFICATIONS ARE STRICTLY PROHIBITED.

4.1.2 Transmission

Final drive ratio of 4.47 (maximum allowed)

Gear Ratios- Nissan March series gear box should be used (K10, k11 can be interchanged with newer models but gear ratios should as per Nissan march K11 and k10 series.)

Clutch - Aftermarket not permitted.

Fly wheel - minimum weight should be 6 kg. **LSD** - not permitted.

Amendment – Effective from 1st May 2024

1 st	50/15	3.333
2 nd	41/23	1.783
3 rd	35/29	1.207
4 th	37/41	0.902
5 th	34/45	0.756
Final Drive	76/17	4.47

Clutch - Aftermarket not permitted.

Fly wheel - minimum weight should be 6 kg. **LSD** - not permitted.

Class Specific Regulations for Group SL H Cars up to 1300cc Nissan March One Make

(CG10 / CG 13 Engines)

IGNITION: Only the Distributor type IGNITION System is permitted. Individual Plug Coils are prohibited.

4.13.2 Engine Specifications (As per Amendment 3 effective 30th January 2023)

Head Height - 121.5 mm (minimum)
Block Height - 192 mm (minimum)

Amendment to above Measurements;

Minimum Cylinder Head Height 120.5 mm.

Minimum Cylinder Block Height 191.5mm.

4.13.3 Transmission - (As per Amendment 3 effective 30th January 2023)

Gear Ratios and Final Drive

1 st	50/15	3.333
2 nd	41/27	1.783
3 rd	35/29	1.207
4 th	37/41	0.902
5 th	34/45	0.756
Final Drive	76/16	4.47

Amendment – Effective 1st May 2024

1 st	50/15	3.333
2 nd	41/23	1.783
3 rd	35/29	1.207
4 th	37/41	0.902
5 th	34/45	0.756
Final Drive	76/17	4.47

Suspension – (Effective from 1st May 2024) FRONT SUSPENSION STRUTS as per manufacturer's Specifications. MODIFICATIONS ARE STRICTLY PROHIBITED.



SRI LANKA AUTOMOBILE SPORTS

APPENDIX – G 2021

(Version effective from 21st March 2021 until 31st December 2024)

Amendment 7.0

(As approved at the Emergency Council Meeting on 19th
February 2024)

Inclusion of a New Event – Group SL S up to 3500cc

Class Specific Regulations for Group SL S Cars up to 3500cc

The Rules for the above class should be read as follows;

First you read- Section 1 - General Specifications

Second you read - Section 4 - Class Specific Regulations

General Regulations will be SUPERSEDED by the **Group Regulations**, both General and Group Regulations will be SUPERSEDED by the **Class Specific Regulations**.

Eligibility– For “B” Category License holders only, who have to fulfill the following.

Should have competed in the GROUP H cars SLH 1600 (One Make- Honda 3 door Hatch Back cars only) & GROUP H cars SLH 2000 (One Make- Subaru Legacy) for at least 1 year or have 5 mass start finishes.

Other “B” License holders to have a minimum of 10 mass start finishes with no reported incidents.

Body Shell / Chassis

A Series production closed body shell of which at least 5000 units have been manufactured post 1990. The Only modifications permitted are to accommodate the proper positioning of the engine and transmission.

Engine mounting Free. (Subject to Pre Scrutinizing)

The wheel base of the series production car cannot be altered.

No other modifications may be made to the manufacturer's design of the series production body shell and / or chassis. However, the only other modifications permitted to the body shell would be – seam welding, strengthening, mounting roll cage and that which is necessary to convert and engine or upgrade a vehicle from a two-wheel drive to a four-wheel drive and widening of the rear fenders and in addition the front nose panel could be modified in order to make it detachable.

However, if a nose panel is been modified, the design should be sent to SLAS for approval prior to carrying out the modification.

Number of seats

Cars must have a minimum of two (02) seats whilst being manufactured.

BODY PARTS and GLASS ITEMS

All body parts and glass items must be retained. However, only Polycarbonate door windows (of minimum thickness 4mm) may be replaced, front and rear windscreen glass must be retained.

The position of the taillights and stop lights have to be retained and be in operating condition. Headlights/ front lights, all interior equipment can be removed or replaced. All seats other than the drivers racing seat must be removed. The front passenger seat (proper racing seat similar to the drivers Racing seat can be fitted only for Rallies. Head lights maybe covered with suitable material. Front and Rear bumpers must be retained.

The material of the fenders and the front & Rear bumpers are free. The Design of the Front bumper, Rear Bumper, Front Fenders and Rear Fenders and Spoiler is free. Hidden lurk bars behind the front and rear bumpers is strictly prohibited. No additional crash bars are permitted.

Engine

The Engine is free, but the Engine block must be from a Production series engine (At least 2500 engines produced) ,provided the engine is originally designed for/ or derived from any automobile and does not exceed the maximum CC limit of 3500cm³. Turbo multifactor = 1.7.

Motorcycle / Boat / Aircraft engine is not allowed. Twin Turbo, Rotary and super charged engines, are not allowed.

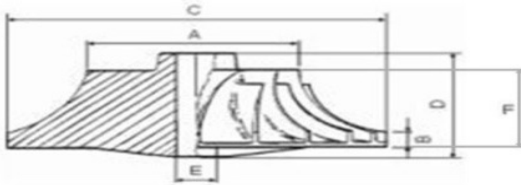
For turbo charged engines the maximum cylinder capacity authorized is 2058 cm³

Normally aspirated engines are allowed up to the equivalent corrected cylinder capacity of the turbo engines.

Valve Train - variable valve timing and Lift systems prohibited

Turbo Charger

The Turbo charger must be single turbo charger, with single stage compression and expansion and must not have variable geometry with the following compressor size as Maximum



Impeller	Diagram	SPEC
Number of blades		6 taller+ 6 Short
A. Blade Upper diameter (taken as Inner diameter of the impeller housing at the narrowest)	Diagram I1	50mm
B. Blade outer height	Diagram I2	5.6mm
C. Impeller Diameter	Diagram I3	68mm
D. Impeller height	Diagram I4	31.5mm
E. Impeller side Shaft Diameter	Diagram I5	6.6mm
F. Height of blades Tall Short	Diagram I6	22mm 16.4mm
Turbine		
Number of blades		12
A. Blade top diameter	Diagram E1	50.38mm
B. Blade height	Diagram E2	20.5mm
C. Blade bottom Diameter	Diagram E3	56.5mm
D. Turbine height	Diagram E4	25mm
E. Shaft Diameter	Diagram E5	9.2mm
GENERAL		
Bearing	Gen 1	Bush
Blades/Vanes		No Variable Vanes

Waste gate is Free. Electromagnetic or hydraulic actuation is not permitted,

Intercooler

The intercooler must be of the air/air type. It must be mounted in the engine compartment

Restrictor

All turbo charged cars must be fitted with a 32mm restrictor fixed to the compressor housing. The 32 mm area should be maintained for a minimum of 3 mm. All the air necessary for feeding the engine must pass through the restrictor.

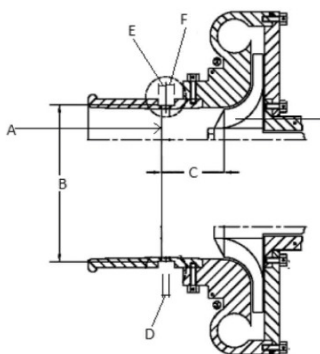
The maximum internal diameter of the restrictor is 32 mm, maintained for a minimum distance of 3 mm measured downstream of a plane perpendicular to the rotational axis situated at a maximum of 50 mm upstream of a plane passing through the most upstream extremities of the wheel blades, this diameter must be complied regardless of the temperature conditions. This rule will apply to all events including hill climbs.

The external diameter of the restrictor at its narrowest point, must be less than 38mm, and must be maintained over a distance of 5 mm to each side.

The mounting of the restrictor onto the turbocharger must be carried out in such a way that two screws have to be entirely removed from the body of the compressor, or from the restrictor in order to detach the restrictor from the compressor. Attachments by means of needle screws are not authorized.

For the installation of this restrictor, it is permitted to remove material from the compressor housing, and add to it, for the sole purpose of attaching the restrictor onto the compressor housing. The head of the screws must be pierced so that they can be sealed.

The restrictor must be made from a single material and maybe pierced solely for the purpose of mounting and sealing which must be carried out between the mounting screws, between the restrictor (or the restrictor compressor housing attachments), the compressor housing (or the housing/flange attachment) and the turbine housing (or the housing/flange attachment).



A- Maximum internal diameter of the narrowest point must not exceed 32mm

B- Maximum external diameter over the 32mm orifice must not exceed 38mm

C- Maximum distance from beginning of the 32mm orifice to the impeller blade must not exceed 50mm

D- The 32mm orifice must be maintained for a minimum of 3mm

E- & F the 38mm external diameter limit must be maintained for a minimum of 5mm on either side from the center of 32mm orifice.

Water Radiator

The water radiator is free and should be located within the Engine bay.

Fuel Tank

Fuel Tank to remain in the original area of the production body shell.

The floor of rear seats maybe modified in order to install the racing fuel tank.

The fuel tank must be located at least 300 mm from the body work in both lateral and longitudinal directions.

The bottom of the tank must be minimum 80 mm from the lowest point of the chassis.

A 1mm thick steel screen between the tank and the cockpit is compulsory

Fuel sampling

The car must be fitted with a self-sealing connector for sampling fuel.

A minimum of 4 litres of fuel must remain in the fuel tank at any stage of the competition.

TRANSMISSION

Any electronic driving aid system is prohibited (ABS/ASR/ESP/ACD/AYC/DCCD/...etc).

Conversion to four-wheel drive is permitted.

Front Rear and center mechanical limited slip differentials are permitted.

Hydraulic or Electric system differential controllers are NOT permitted.

In the case of a 4-wheel drive vehicle with no central differential, a rear final drive disconnect system will be permitted.

Type of gearbox

Only H Pattern GEARBOXES ARE permitted.

Clutch

Free, but must be operated by the driver's foot.

Brake/Clutch fluid tanks

If inside the cockpit, they must be securely fastened and protected.

SUSPENSION

Cars must be fitted with a sprung suspension.

The operating method and the design of the suspension system are free.

The use of active suspension is not permitted.

WEIGHT

The weight of the car is measured with the driver on board wearing his/her full racing apparel, and with the fluids remaining at the moment at which the measurement is taken.

The weight must be according to the following table :

Over 1400 cm ³ and up to 1600 cm ³	1050 kg
Over 1600 cm ³ and up to 2000 cm ³	1150 kg
Over 2000 cm ³ and up to 2500 cm ³	1180 kg
Over 2500 cm ³ and up to 3000 cm ³	1260 kg
Over 3000 cm ³ and up to 3500 cm ³	1350 kg

It is permitted to complete the weight of the car by one or several ballasts, provided that they are strong and unitary blocks, fixed by means steelbolts, placed on the floor of the cockpit

Wheels and Tyres

The diameter of the rim may not exceed 18"

Tires are Free for Gravel, Rallies, Hill Climbs and Tarmac Events,

However a one make Tire will be approved and made compulsory for all Circuit (Tarmac) Race meets in 2025.

Pre Scrtinizing

Pre Scrutinizing is compulsory and certificate to be produced at every race meet. A minimum of 3 days Notice is required to arrange the Pre Scrutinizing and the Secretary of SLAS should be contacted for same.

The above Regulations will be reviewed by Sri Lanka Automobile Sports (SLAS) every quarter of the year. SLAS will Reserve the right to change the said rules to bring in the Balance of Performance (BOP) as this event is new and introduced in 2024.

End of Document



SRI LANKA AUTOMOBILE SPORTS

APPENDIX – G 2021

(Version effective from 21st March 2021 until 31st December 2023)

Amendment 6.1

As Ratified at the SLAS Council meeting held on the 26th of October 2023.

Class Specific Regulations for the following Classes

SL E Ford Laser / Mazda 1300cc One make

SL N Ford Laser / Mazda 1300cc One make

SL N Ford Laser / Mazda 1500cc One make

Hand Brake - The original Hand brake mechanism mounted in the original mounting position should be retained. Hydraulic Hand brake systems are prohibited.

Effective date 01/01/2024 - Upgrading of Brakes is allowed, however the system of Front Brake Disc and Rear Brake Drum must be retained. Servo units and Anti lock braking units may be disconnected."

This area is blank

TIRES

Regulations applicable for the following classes effective from 27th October 2023.

GROUP E - NISSAN MARCH CARS UPTO 1000CC (ONE MAKE)

GROUP H – NISSAN MARCH CARS UPTO 1300CC (ONE MAKE)

GROUP E - FORD LASER/ MAZDA CARS UPTO 1300CC

GROUP N – FORD LAZER/ MAZDA CARS UPTO 1300CC

GROUP N – FORD LAZER/ MAZDA CARS UPTO 1500CC

CURRENT RULE

For the above classes the permitted tire for Tarmac circuit meets, Road Races and hill climbs will be - any locally manufactured, road legal tire which the size should be 175 or 185 x 70 x 13. (Sleeks or semi sleeks not permitted).

For gravel events the tire will be open.

- **Amendment to the Above Rule -**

For the above classes the permitted tire for Tarmac circuit meets, Road Races and hill climbs will be - any locally manufactured road legal tire or GiTi Comfort T20 branded tyre which the size should be 175 or 185 x 70 x 13. (Sleeks or semi sleeks not permitted).

For gravel events the tire will be open.

Class Specific Rules for the following classes;

Group A

- SLA Mini 7
- SLA cars up to 1050cc

Group S

- SLS Cars up to 1500cc

Group H

- SLH Cars up to 1600 One make – Honda 3 door Hatch back Cars only
- SLH Cars up to 2000 One Make - Subaru Legacy
- SLH Cars up to 1275cc – One Make – Mini

- SL H Cars up to 1300cc – Nissan March one make

Group GT

- Cars up to 3500cc

Group T&J -

(Trucks, Jeeps, Double Cabs, Single Cabs & SUV's. (Estates& station wagons are excluded)

- Diesel up to 5500cc
- Open for Diesel & Petrol Vehicles (SUV's Allowed)

Amendment - Brakes – Upgrading of Brakes is permitted.

- End of Amendment –

Released on 26th October 2023



SRI LANKA AUTOMOBILE SPORTS

APPENDIX – G 2021

(Version effective from 21st March 2021 until 31st December 2023)

Amendment 6

As per a decision taken at the SLAS Emergency council meeting held on the 19th of October 2023.

Class Specific Regulations for the following Classes effective 19th October 2023.

**SL E Ford Laser / Mazda 1300cc One make
SL N Ford Laser / Mazda 1300cc One make
SL N Ford Laser / Mazda 1500cc One make**

Upgrading of Brakes is allowed, however the system of Front Brake Disc and Rear Brake Drum must be retained. Servo units and Anti lock braking units can be disconnected."

Hand Brake - The original Hand brake mechanism mounted in the original mounting position should be retained. Hydraulic Hand brake systems are prohibited.

- End of Amendment -

Released on 21st October 2023



SRI LANKA AUTOMOBILE SPORTS APPENDIX – G 2021

(Version effective from 21st March 2021 until 31st December 2023)

Amendment 5

As per a decision taken at the emergency council meeting held on the 19th of July 2023.

THE ONE MAKE TYRE RULE WILL BE EFFECTIVE FOR THE FOLLOWING GROUPS AND CLASSES

EFFECTIVE DATE – 1ST NOVEMBER 2023 FOR TARMAC TYRES AND 1ST JANUARY 2024 FOR GRAVEL TYRES

2.1 GROUPS AND CLASS CLASIFICATION

Group H

- **SL H Cars up to 1600 One make – Honda 3 door Hatch back Cars only (TARMAC AND GRAVEL)**

TARMAC TYRE –

MAKE: ZESTINO VICTUS ZS 01

SIZE: 205/50R/15

COMPOUND: MEDIUM

GRAVEL TYRE –

MAKE: ZESTINO GRAVEL 09R

SIZE: 185/65/14

COMPOUND: MEDIUM

- **SLH Cars up to 2000 One Make - Subaru Legacy (TARMAC AND GRAVEL)**

TARMAC TYRE

MAKE: ZESTINO VICTUS ZS 01

SIZE: 205/50R/15

COMPOUND: MEDIUM

GRAVEL TYRE

MAKE: ZESTINO GRAVEL 09R

SIZE: 185/65/14 OR 185/65/15

COMPOUND: MEDIUM

GROUP TRUCKS AND JEEPS

- T AND J UP DIESEL UP TO 5500CC (GRAVEL ONLY)
- T AND J OPEN (GRAVEL ONLY)

- **GRAVEL TYRE**
- **MAKE: ZESTINO GRAVEL 09R**
- **SIZE: 205/65/15**
- **COMPOUND: MEDIUM**

GROUP GT

- **Cars up to 3500 CC (TARMAC AND GRAVEL)**

TARMAC TYRE

MAKE: ZESTINO CURCUIT 01RS

SIZE: 240/610R/17

COMPOUND: MEDIUM

GRAVEL TYRE

MAKE: ZESTINO GRAVEL 09R

SIZE: 205/65/15

COMPOUND: MEDIUM

The timeline stipulated by the supplier for delivery is three months. Competitors will have to plan ahead and coordinate with the supplier to make sure timely delivery. Competitors with a valid competition license who require to purchase the tires are requested to contact the SLAS secretariat to obtain a letter confirming that he/she is a license driver to submit to the supplier.



SRI LANKA AUTOMOBILE SPORTS APPENDIX – G 2021

(Version effective from 21st March 2021 until 31st December 2023)

Amendment 4

Effective from **31st May 2023**

As per a decision taken at the SLAS council meeting held on the 31st of May 2023.

- 1) **The Effective Date** of the Appendix G 2021 and all its amendments, which is currently in effect from 21st March 2021 until the 31st of December 2023, **will be extended until 31st December 2024.**

Other Amendments

SECTION 1 - REGULATIONS TO BE IMPLEMENTED UNDER ELECTRICAL AND ELECTRONICS RULE FOR THE FOLLOWING CLASS

- GROUP E – NISSAN MARCH CARS UP TO 1000 CC (ONE MAKE)
- GROUP H – NISSAN MARCH CARS UP TO 1300 CC (ONE MAKE)
- **ELECTRICAL AND ELECTRONICS**

External ignition coil/s are not allowed.

THIS PART IS BLANK REFER TO PAGE 2.

SECTION 2 – TIRES

Regulations applicable for the following classes effective from 31st May 2023.

- GROUP E - NISSAN MARCH CARS UPTO 1300CC (ONE MAKE)
- GROUP E - FORD LASER/ MAZDA CARS UPTO 1300CC
- GROUP N – FORD LAZER/ MAZDA CARS UPTO 1300CC
- GROUP N – FORD LAZER/ MAZDA CARS UPTO 1500CC

CURRENT RULE

- **Racing tires, Slicks or Semi Slicks not permitted. 175 or 185 x 70 x 13 (Only CEAT tires will be permitted for Tarmac Circuit, Road Races and Hill Climbs Events) * Please contact the SLAS secretariat for information on obtaining tires. However, this rule will apply as long as the Tire sponsor is in agreement to provide the given Tire size and the profile. In case the sponsorship is no longer available to the competitors SLAS will provide an alternate solution.**

Amendment

- **For the above classes the permitted tire for Tarmac circuit meets, Road Races and hill climbs will be - any locally manufactured, road legal tire which the size should be 175 or 185 x 70 x 13. (Sleeks or semi sleeks not permitted). For gravel events the tire will be open.**



SRI LANKA AUTOMOBILE SPORTS

APPENDIX – G 2021

Version effective from 21st March 2021 until 31st December 2023)

Amendment 3

Effective from **30 January 2023**

As per a decision taken at the SLAS council meeting held on the 30th of January 2023.

GROUPS AND CLASSES

2.1 GROUPS AND CLASS CLASIFICATION

Group H

- SL H Cars up to 1600 One make – Honda 3 door Hatch back Cars only
- SLH Cars up to 2000 One Make - Subaru Legacy
- SLH Cars up to 1275cc – One Make - Mini

INCLUDE

- SLH Cars up to 1300cc – One Make – Nissan March

SECTION 2 – GROUPS AND CLASSES

4.13 CLASS SPECIFIC REGULATIONS FOR SLH CARS UP TO 1300 CC (ONE MAKE NISSAN MARCH)

(Allowed for – Hill Climbs, Tarmac Circuit Meets, Gravel Circuit Meets and Rallies)

(One Make – Nissan March - Grade B License Holders Only)

These rules should be read in conjunction with GROUP N Regulations

4.13.1 Definitions

Manufacturer	- NISSAN MOTOR CORPORATION
Engine	- CG 13DE
Cylinder Capacity	- 1274 cc (STD)

4.13.2 Engine Specifications

Bore - 71 mm
Stroke - 80.5 mm
Compression Ratio - 9.5: 1

Using up to maximum of 0.50mm on 2nd oversize from the standard size pistons is allowed. Additional cc from using 2nd oversize pistons is allowed.

Head Height - 121.5 mm (minimum)

Block Height - 192 mm (minimum)

Height of used Gasket - 1.3 mm (+ or - 0.15mm)

Throttle body Diameter at butterfly side (Manifold side) – Maximum 46 mm

Inlet valve diameter - 27.5mm + or - 0.2 mm

Exhaust Valve diameter - 22.5mm + or - 0.2 mm

Cam Lobe dimensions - Inlet Lobe Height 40mm – Base Circle 32.1 mm,

- Exhaust Lobe Height 40mm – Base Circle 32.1 mm

Valve Springs wire Diameter - Inlet 3.1 mm, exhaust 3.1 mm

No of Coils - Inlet 8, Exhaust 8

Valve Spring Height – Inlet and Exhaust - 41mm (Maximum)

Retainer Thickness – 6.8 mm

Spring Seat Thickness - 1.4 mm

Spring seat Washer Thickness - 1 mm



Intake port

– 37 mm, 30 mm, 20 mm +/- 1 mm (caliper should be placed on the outer edge of the port)



Exhaust port

**–32.7mm, 25.1 mm
+/- 1 mm**



4.13.3 Transmission

GEAR RATIOS AND FINAL DRIVE

1 ST	50/15	3.333
2 ND	41/27	1.783
3 RD	35/29	1.207
4 TH	37/41	0.902
5 TH	34/45	0.756
FINAL DRIVE	76/16	4.47

Clutch – Full Diameter, Friction Material is Free.

Fly wheel - minimum weight should be 6 kg

LSD - not permitted.

4.13.4 Tires

Racing tires, Slicks or Semi Slicks not permitted.

For Tarmac Circuit Meets, Hill Climbs, and Road Races the Permitted Tire Size will be 175 or 185 x 70 x 13 and should only be Locally Manufactured Road Legal Tires.

4.13.5 Air filter, cooling system, wiring harness and ECU free

4.13.6 Weight

MINIMUM CLASS WEIGHT 835 kg (with Driver)

G-06. OTHER DETAILS

6.4 Lights - The original headlights can be made inoperative and covered with adhesive tape or alternately removed. The side lights may be removed. However except in formula type cars, the working brake lights should remain. In addition for all cars an indicator light (permanent red light – Bulb 21W) must be fixed in a central position at the rear at approximately the height of the rear parcel tray. Working/ operative brake lights are compulsory. The original mounting positions of the tail light/ brake lights have to be retained. (Unless specified in specific Regulation) LED and aftermarket lights as brake lights are strictly prohibited unless factory fitted by manufacturer. Further apart from the original brake lights 2 additional brake lights have to be fitted on either side of the permanent light at the parcel tray height of which the size should be identical or larger than the permanent light. (All 4 brakes lights should work together). The Permanent light should be wired to work with the ignition switch. (4 Brake lights will be compulsory for all Gravel Circuit Meets, Tarmac Circuit Meets and Rallies) LED lights will be allowed only as a permanent light and for the 2 newly added brake lights to be fitted together with the permanent light. (Size 3 inches x 4 inches or larger). A LED strip only are prohibited.

Include – The Requirement for Additional Brake Light and the Permanent Light will not apply for hill climb events only.



SRI LANKA AUTOMOBILE SPORTS

APPENDIX – G 2021

Version effective from 21st March 2021 until 31st December 2024)

Amendment 2

Effective from 19 January 2022

AS Ratified at the SLAS council meeting held on the 19th of January 2022.

- 1) 4.5 Class Specific Regulations for GROUP A CARS – MINI 7
 - Current Regulation –
(Allowed for – Hill Climb, Tarmac Circuit Meets and Rallies Only)
 - Amendment –
(Allowed for – Hill Climb, Tarmac Circuit Meets, Gravel Circuit Meets and Rallies)
- 2) 4.10 Class Specific Regulations for GROUP H – MINI CARS UP TO 1275CC
 - Current Regulation –
(Allowed for – Hill Climb, Tarmac Circuit Meets and Rallies Only)
 - Amendment –
(Allowed for – Hill Climb, Tarmac Circuit Meets, Gravel Circuit Meets and Rallies)
- 3) 4.11 Class Specific Regulations for Group GT Cars up to 3500cc
 - Current Regulation –

4.11.4 - WEIGHT Up to 3500 cc - 1350Kgs (with the Driver)
This Inclusion will be effective from 1st April 2022 onwards)

INCLUSION – The Minimum Weight of a car fitted with a Gear Box Using any shifting mechanism other than a H Pattern (that includes Automatic, Sequential, Dual Clutch Etc) will be 1418 KG.

- 4) 4.8 Class Specific Regulations for GROUP H Cars (SLH 1600) One Make Honda – 3 door Hatch Back Cars Only

- Current Regulation –

4.8.2 Engine

Distance from wrist pin center Line to highest point of piston crown - 13.5mm +/-
0.1mm

- Amendment –

Distance from wrist pin center Line to highest point of piston crown - 33.5mm +/-
0.1mm

5) GENERAL REGULATIONS THAT WILL APPLY TO ALL CLASSES

G-06 OTHER DETAILS

INCLUSION –

6.16 Water, Water Methanol or any other type of injection (Except for permitted Fuel) in to the Air Intake system, on to the Air filter or after the Air Filter until the combustion chamber for Normal Aspirated Engines or Turbo charged or super charged Engines is strictly prohibited.

G-06 OTHER DETAILS

Current Regulation -

6.4 Lights - The original headlights can be made inoperative and covered with adhesive tape or alternately removed. The side lights may be removed.

However except in formula type cars, the working brake lights should remain. In addition for all cars an indicator light (permanent red light – Bulb 21W) must be fixed in a central position at the rear at approximately the height of the rear parcel tray. Working/ operative brake lights are compulsory. The original mounting positions of the tail light/ brake lights have to be retained. (Unless specified in specific Regulation) LED and aftermarket lights as brake lights are strictly prohibited unless factory fitted by manufacturer. Further apart from the original brake lights 2 additional brake lights have to be fitted on either side of the permanent light at the parcel tray height of which the size should be identical or larger than the permanent light. (All 4 brakes lights should work together). The Permanent light should be wired to work with the ignition switch. (4 Brake lights will be compulsory for all Gravel Circuit Meets, Tarmac Circuit Meets and Rallies) LED lights will be allowed only as a permanent light and for the 2 newly added brake lights to be fitted together with the permanent light. (Size 3inches x 4inches or larger). A LED strip only are prohibited.

- Amendment –

The additional permanent light and the two additional brake lights required under the sub regulation 6.4 lights, will not be applicable for Hill Climbs and Auto Cross events.



SRI LANKA AUTOMOBILE SPORTS

APPENDIX – G 2021

Amendment 1

Effective from 1st April 2021 to 31st July 2021

4.2 Class Specific Regulations for GROUP E cars up to and including 1300cc

(One Make Ford Laser/Mazda 323 - Grade C License Holders Only)

To be read in conjunction with Group N Regulations

4.2.3 Suspension

Upgrading of Suspension is allowed. Coil Spring is free, mounting positions to remain unchanged and camber adjustments are permitted. However, Pressure adjustable Shock Absorbers and competition Shock Absorbers are strictly prohibited.

4.3 Class Specific Regulations for GROUP N cars up to and including 1300cc

(One Make Ford Laser/Mazda 323 - Grade B License Holders Only)

To be read in conjunction with Group N Regulations

4.3.3 Suspension

Upgrading of Suspension is allowed. Coil Spring is free, mounting positions to remain unchanged and camber adjustments are permitted. However, Pressure adjustable Shock Absorbers and competition Shock Absorbers are strictly prohibited.

4.4 Class Specific Regulations for GROUP N cars up to and including 1500cc

(One Make Ford Laser/Mazda 323 - Grade B License Holders Only)

To be read in conjunction with Group N Regulations

4.4.3 Suspension

Upgrading of Suspension is allowed. Coil Spring is free, mounting positions to remain unchanged and camber adjustments are permitted. However, Pressure adjustable Shock Absorbers and competition Shock Absorbers are strictly prohibited.



SRI LANKA AUTOMOBILE SPORTS

APPENDIX – G

Classification of Automobiles

Effective from 21st March 2021

THIS DOCUMENT WILL SUPERSEDE ALL OTHER PREVIOUS VERSIONS OF APPENDIX G AND WILL BE EFFECTIVE
UNTIL FURTHER NOTICE

(TO BE READ IN CONJUNCTION WITH THE NATIONAL SPORTING CODE NSC) OF THE SRI LANKA
AUTOMOBILE SPORTS.

APPENDIX G - 2021

THE INTERPRETATION OF THESE RULES AND REGULATIONS LIES WITH THE SLAS COUNCIL AND SUCH INTERPRETATION WILL BE FINAL AND BINDING.

In The event of any dispute or inconsistency arising out of the interpretation, the English text shall prevail

EFFECTIVE FROM 21ST MARCH 2021 UNTIL 31ST DECEMBER 2023

Any Changes to the regulations will be approved by SLAS and will be published as an amendment.

HOW TO UNDERSTAND AND USE “APPENDIX G”

Example1 - For 'SL E' 'SL N' & 'SL H' Classes:

First you read - Section 1 - General Specifications
Second you read - Section 3 - Regulations for Group N Production Cars
Third you read - Section 4 - Class Specification Regulations

Example 2. - For 'SL A', 'SL S' & 'SL GT' Classes:

First you read - Section 1 - General Specifications”
Second you read - Section 4 - Class Specific Regulations

General Regulations will be SUPERSEDED by the **Group Regulations**, both General and Group Regulations will be SUPERSEDED by the **Class Specific Regulations**.

Only the following documents will be considered as authentic documentation when obtaining any specification for reference, which is not specified herein Appendix G.

1. Manufacturer's Workshops manual/ Repair manual
2. Haynes Repair manual

PREFACE00

G-01. Construction	4
G-02. Construction Requirements	5
G-03. Roll Cage	6
G-04. Driver Safety Equipment	8
G-05. Cockpit Safety Equipment	10
G-06. Other Details	11
G-07. Name and Blood Group	13
G-08. Groups	13
G-09. Classification by Cubic Capacity	14
Section 2- Groups and Classes	
2.1 Groups and Class classifications	15
Section 3- Regulations & Technical Specifications	
3.1 Regulations for Group N Production Cars	16
Section 4- Class Specific Regulations & Technical Specifications	
4.1 Class Specific Regulations for GROUP E cars up to & including 1000cc (One Make- Nissan March) (Hill Climb, Tarmac Circuit Meets, Gravel Circuit Meets and Rallies)	20
4.2 Class Specific Regulations GROUP E cars up to and including 1300cc (One Make – Ford Laser/Mazda 1300cc) (Hill Climb, Tarmac Circuit Meets, Gravel Circuit Meets and Rallies)	22
4.3 Class Specific Regulations GROUP N cars up to and including 1300cc (One Make – Ford Laser/Mazda 1300cc) (Hill Climb, Tarmac Circuit Meets, Gravel Circuit Meets and Rallies)	25
4.4 Class Specific Regulations GROUP N cars up to and including 1500cc (One Make – Ford Laser/Mazda 1500cc) (Hill Climb, Tarmac Circuit Meets, Gravel Circuit Meets and Rallies)	27
4.5 Class Specific Regulations GROUP A cars Mini 7 (One Make – Mini cars up to 1000cc) (Hill Climb, Tarmac Circuit Meets and Rallies only)	29
4.6 Class Specific Regulations GROUP A Modified cars up to 1050cc (Hill Climb, Tarmac Circuit Meets, Gravel Circuit Meets and Rallies)	32
4.7 Class Specific Regulations GROUP S cars up to 1500cc (Hill Climb, Tarmac Circuit Meets and Rallies only)	34

4.8 Class Specific Regulations GROUP H cars SLH 1600 (One Make- Honda 3 door Hatch Back cars only) (Hill Climb, Tarmac Circuit Meets, Gravel Circuit Meets and Rallies)	35
4.9 Class Specific Regulations GROUP H cars SLH 2000 (One Make- Subaru Legacy) (Hill Climb, Tarmac Circuit Meets, Gravel Circuit Meets and Rallies)	40
4.10 Class Specific Regulations GROUP H cars up to 1275cc (One Make – Mini Cars up to 1275cc) (Hill Climb, Tarmac Circuit Meets and Rallies)	42
4.11 Class Specific Regulations GROUP GT cars up to 3500cc (Hill Climb, Tarmac Circuit Meets, Gravel Circuit Meets and Rallies)	45
4.12 Class Specific Regulations GROUP T & J (Hill Climb, Tarmac Circuit Meets, Gravel Circuit Meets and Rallies)	51

Section 5- Formula Cars

(Hill climb, Tarmac Circuit Meets only)

5.1 Formula McLarens 1300cc	52
5.2 Modified Formula Cars up to 1665cc	52
5.3 Formula Ford 1600	52
5.4 Formula Ford 1600 Pre -1975	65

SECTION 1

GENERAL SPECIFICATIONS

**GENERAL REGULATIONS WILL APPLY TO ALL CLASSES
UNLESS SPECIFIED IN CLASS REGULATIONS.**

APPENDIX "G" – CLASSIFICATION OF AUTOMOBILES 2021 (Other than Karts)

These regulations shall apply to all automobiles other than Karts. The word "car" used in these regulations shall have the same meaning as the word automobile. All regulations mentioned under General Specification shall apply to all Groups and Classes.

All competitors should be familiar with the Appendix C available on the SLAS website, for license categories for respective classes.

G-01. CONSTRUCTION

1.1 BODY SHELL/ CHASSIS: The major structural part of the homologated vehicle, constructed of all parts which are permanently attached (by welding, brazing, bonding etc., around which are assembled the mechanical components and the bodywork. Components or panels which are attached by means of removable fasteners are not considered to be part of the body shell. The fitting of underbody protections is authorized in rallies only, provided that these really are protections which respect the ground clearance, which are removable, and which are designed exclusively and specifically in order to protect the following parts: engine, radiator, suspension, gearbox, tank, transmission, exhaust, extinguisher bottles. These protections must be made from either aluminum alloy or steel and have a minimum thickness of 4 mm and 2 mm for steel. Nevertheless, it is possible to reinforce the upper part with metal or composite ribs and to add non-structural composite parts. Underbody protections may extend the whole width of the underside part of the front bumper only in front of the front wheel axis. For Formula cars the Chassis/Frame should be of tubular Steel construction and of adequate strength.

The Silhouette and Plan View must remain as per the original design. The wheel archers/ fenders may be extended, however the wheel rim or the Tyre cannot be jutting out of the fender when the wheels are straight.

1.2 BODY PARTS:

Components or panels not considered to be part of the body shell, which are attached by means of removable fasteners are not considered to be a part of the body shell.

All Cars (except formula) should have the bonnet stay Rod.

For all classes Front and rear Bumpers can be replaced by proper bumpers Similar or Identical to the original Bumper. However only bumpers manufactured out of fiberglass or plastic will be allowed to be used as replacement bumpers. Front fender design cannot be changed, material could be metal, fiberglass or plastic.

The chief scrutinizer of the Meet may exclude an Automobile, the construction of which is deemed to be not fit to race or dangerous.

G-02. CONSTRUCTION REQUIREMENTS -

All Automobiles to which these regulations apply:

- 2.1 Wheels** - have four complete wheels, of which at least two are used for steering and at least two for propulsion (excluding the spare).
- 2.2 Brakes** - Be equipped with brakes which comply with statutory requirements as to construction of motor vehicles, or if there is no mechanical system available for applying braking effort to at least two wheels, there shall be two hydraulic systems so that in the event of failure of one system, braking on at least two wheels remain effective. Dual circuit hydraulic systems are mandatory. **Upgrading of Brakes parts with OE (same make of vehicle) will be allowed. (Unless specified in class regulations).**
- 2.3 Steering Wheel** - Have a steering wheel, which has a full diameter rim. Aircraft type wheels are not permitted. (Except for Formulas).
- 2.4 Front Windscreen Glass** - All cars must be fitted with a Glass Windscreen, polycarbonate is strictly prohibited. (Except Formulas).
- 2.5 Seat & Mounting** - Non Reclaimable racing seat is compulsory for all classes. If a seat railing is used, the seat Railings have to be properly mounted.
- 2.6** Have a protective bulkhead between the engine and the drivers/ passenger's compartment, suitable and sufficient in the case of fire for preventing damages to the driver.
- 2.7 Driver's/ passenger's compartment** - Have a complete floor rigidly supported and of adequate strength within the driver's/passenger's compartment.
- 2.8 Fuel Tank** - Have the fuel tank mounted outside the Drivers/Passenger compartment (in the case of hatchback/ saloon type vehicles a protective bulkhead fabricated with steel or Aluminum between the luggage and passenger compartment is required if the fuel tank is fitted inside the luggage compartment of the car and have any fuel line(s) or vents passing through the driver's/passenger's compartment covered or enclosed in a solid metal cover. All openings situated within the interior body panel behind the driver's compartment should be covered. (Refer specific class regulations for further details). A non-return valve must be fitted on all fuel

tank breather pipes to prevent the fuel moving out of the tank in case of overturn or collision or any other matter.

2.9 Exhaust - Have the exhaust system outside the driver's/passenger's compartment or beneath the floor of the car or secured in casings or covers of solid metal.

2.10 Bonnet - Except rear-engine single seated Racing Cars, have a bonnet or casing of metal or if original, solid non-inflammable material covering and/or surrounding the engine and which is secured by fastenings of adequate strength and positive locking action.

2.11 Doors - Have secure fastening for all doors and all hinged or detachable parts of the bodywork. Door Interior panels and Bars could be removed.

2.12 Glasses on Door and side panel - can be substituted with Polycarbonate a minimum Thickness of 4mm (front and rear Windscreen has to remain glass).

2.13 Suspension - Be fitted with sprung suspension between the wheels and the chassis. The suspension and steering movement shall be controlled to avoid the road wheels fouling any part of the car. **Upgrading of Suspension is allowed, mounting positions to remain unchanged and camber adjustments are permitted. (Unless specified in class regulation).**

2.14 Mirrors - Be fitted with Door / Wing Mirrors on either side of the vehicle. Also with one mirror of a reflective surface as a rear view mirror within the car of at least 40 sq. cms, securely mounted in the original position as to give a clear view to the rear. The mirror glass shall be enclosed in a suitable frame with no sharp edges exposed such as would cause injury in the event of an accident.

2.15 Radiator - Radiator size, shape and mounting point are free, number of fans are free. (unless specified in group or class regulations)

G-03. ROLL CAGE (If a closed car):

Have a FIA homologated 6 point roll cage securely mounted inside the car or have a Roll cage of adequate strength mounted onto the chassis or body shell of the car. All joints of the cage have to be welded or Bolted (Mig Welding). This roll cage must be braced to resist collapse in all directions and must be manufactured so that the top of the roll cage is at least 5 cms above the driver's helmet when the driver is in the normal driving position. For all classes the Minimum outer Diameter of the pipes used should be 1 1/2 inches (38.1MM) and the Minimum Thickness of the material used should be a minimum of 1.6MM. The material should be of Steel Pipes or UN alloyed carbon steel tubing both of which should be none seam welded in between two joints.

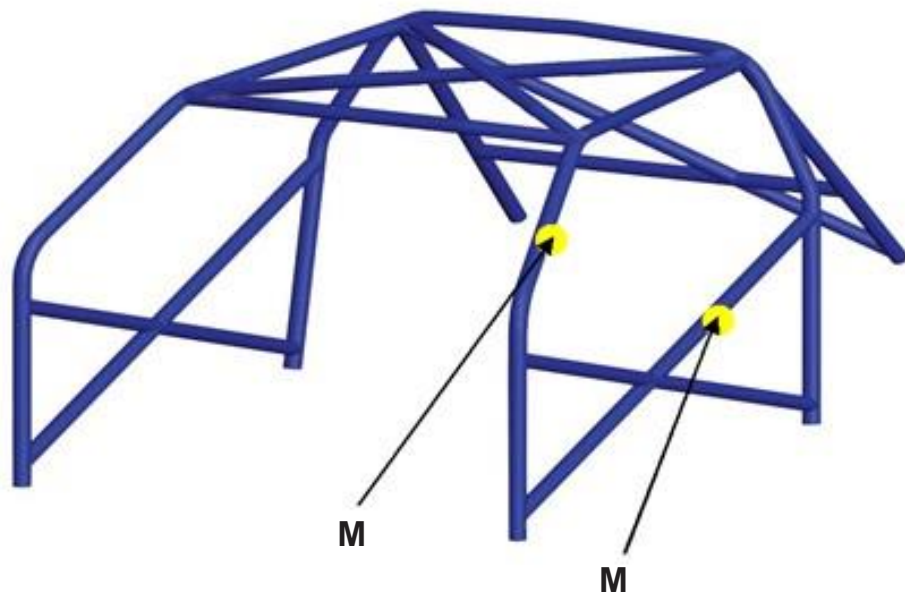
When mounting the Roll Cage to the Chassis/ Floor Board of the car a minimum base of 4x4 inches is required.

The Roll cage may be Welded or Bolted to the Floor Board of the car. If bolted a counter plate measuring the same size (4x4 inches) as the base must be fixed to the car.

The following design of the ROLL CAGE IS RECOMMENDED (**Refer Image N/1 for design of roll cage**) A hole should be drilled with an 7mm size drill bit on the left side of the roll cage in order to measure its thickness. (Refer point "M" on roll cage diagram/ drawing). If the roll cage is being painted an area of 2 inches either way should be left bear (without paint) from where the hole is situated.

- For Hill Climbs, Autocross Meets, Circuit Meets, Road Races and Special Stage Rallies a 6-point Roll cage is Mandatory.
- For TSD Rallies a 4 point Roll cage is Recommended.
- Effective means of ventilating the driver's/passenger's compartment.
- Operable means of access (from both inside and outside) on either side to the driver's/passenger's compartment sufficient in size for removal of the occupant.

Image N/1



If an Open Car:

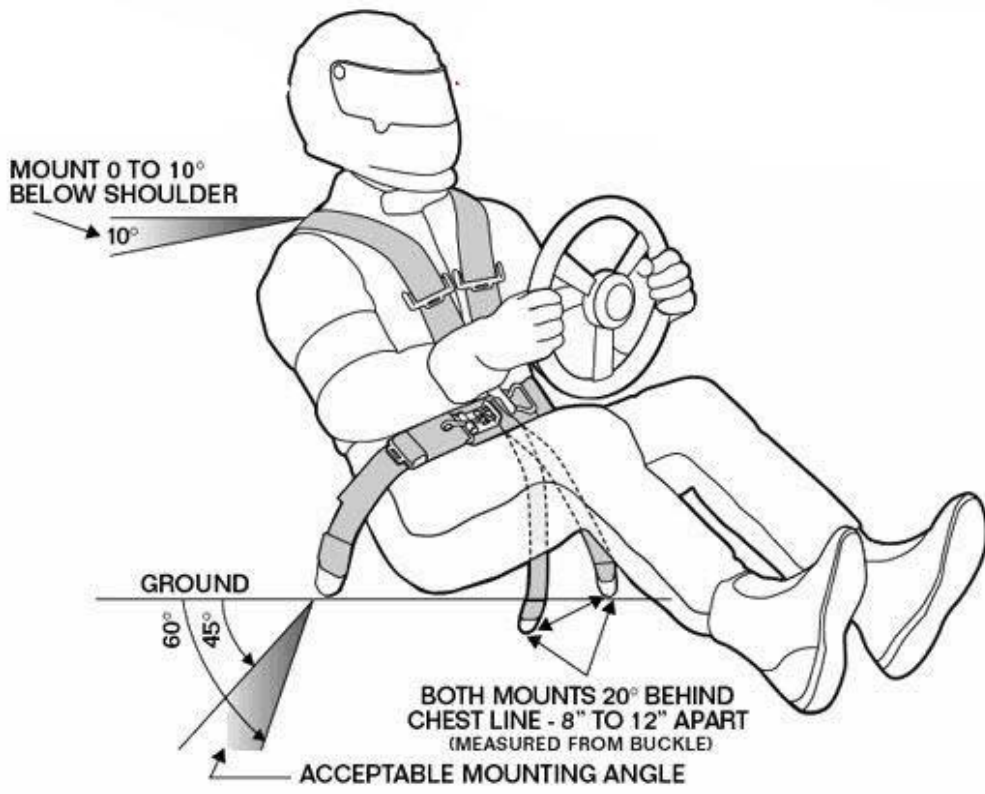
4 point Roll Cage of adequate strength mounted onto the chassis or body of the car. This roll bar must be braced to resist collapse in all directions and must be manufactured so that the top of the roll bar is at least 5 cms above the driver helmet, when the driver is in the normal driving position.

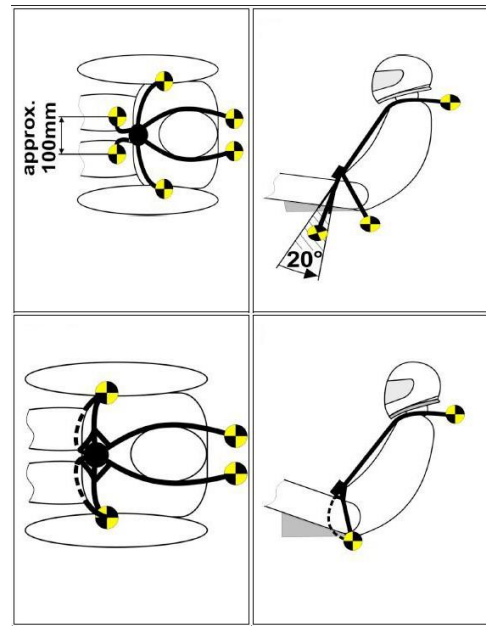
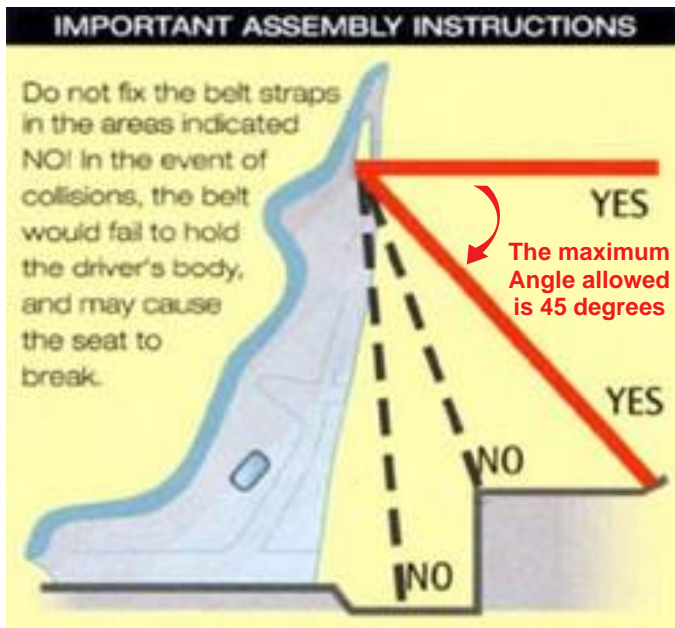


G-04. DRIVER SAFETY EQUIPMENT

FIA Approved Racing Suit, Helmet, Balaclava, Shoes & Hans Device is Mandatory for all classes. (Refer Appendix G Minimum safety standards).

Safety Harness: Be fitted with a safety harness belt of at least 4 points, with a central release. Compulsory for all classes (EXCEPT TSD) a minimum of 2 points of the belt should be securely mounted to the Chassis of the car according to diagram and specs given. Lap Straps are prohibited. **(2/3 point seat belts are prohibited)**. The belts cannot be mounted to the same bolt with which the seats are bolted to the frame.**(Refer images)**





G-05. COCKPIT SAFETY EQUIPMENT

5.1 Competition seat in compliance with **FIA Standard 8855-1999** as guideline.

5.2 Harness in compliance with **Appendix G Minimum Safety Standards**.

5.3 Hand-held extinguisher for circuit events with Validity certificate from a service provider and a Meter showing the condition of the extinguisher is compulsory.

5.4 Roll-cage padding made out of suitable compressed foam can be used.

5.5 A Fire extinguisher containing minimum 1.00 Kg AFFF extinguisher. It should be mounted securely. This will be applicable for all motor racing events, however for speed rallies Fire extinguisher containing minimum 2.00 Kg AFFF extinguisher or 1.00kg x 2 is compulsory. All extinguishers should contain a meter in working condition as to show the condition of the extinguisher and a tag to show its validity period or expiry date. If a Fire extinguishing system (properly wired and fixed) is installed within the car the Extinguisher can be mounted according to a given diagram by the manufacturer or to facilitate the length of the tubing.



G-06. OTHER DETAILS

6.1 Except for rallies, have all hubcaps, number plates and wheel embellishes should be removed. All glass lenses to be taped down to prevent their shattering.

6.2 To have a general circuit breaker that will cut all electrical circuits, battery, alternator or dynamo, lights, hooters, ignition, electrical controls etc. and must also stop the engine is compulsory. It should be spark proof and should be accessible from inside and outside. AS for the Outer the triggering system of the circuit breaker will compulsorily be situated at the lower part of the windscreen mounting frame on the left side for closed body cars (Right Hand drive).



6.3 Battery - All batteries' which are mounted within the passenger compartment and the luggage compartment should be securely covered with a non-conductive solid material. (Paper based material prohibited), and should be properly mounted.

6.4 Lights - The original headlights can be made inoperative and covered with adhesive tape or alternately removed. The side lights may be removed. However except in formula type cars, the working brake lights should remain. In addition for all cars an indicator light (permanent red light – Bulb

21W) must be fixed in a central position at the rear at approximately the height of the rear parcel tray. Working/ operative brake lights are compulsory. The original mounting positions of the tail light/ brake lights have to be retained. **(Unless specified in specific Regulation) LED and aftermarket lights as brake lights are strictly prohibited unless factory fitted by manufacturer.** Further apart from the original brake lights 2 additional brake lights have to be fitted on either side of the permanent light at the parcel tray height of which the size should be identical or larger than the permanent light. (All 4 brakes lights should work together). The Permanent light should be wired to work with the ignition switch. **(4 Brake lights will be compulsory for all Gravel Circuit Meets, Tarmac Circuit Meets and Rallies)** LED lights will be allowed only as a permanent light and for the 2 newly added brake lights to be fitted together with the permanent light. (Size 3inches x 4inches or larger). **A LED strip only are prohibited.**

6.5 Throttle Body - have on each throttle, whether butterfly, slide or other type, a return spring which in the event of the throttle linkage becoming detached will in all cases return each throttle to the closed position **(Not applicable to cars fitted with electronic or fly-by-wire throttle systems).**

6.6 Tires - Be fitted with tires which have not been re-treaded, recapped, repaired or in any way are re-conditioned.

6.7 Seat Mounting - Seat supports must be attached to the shell/chassis via at least 4 mounting points per seat, using bolts with a STEM LENGTH of a minimum diameter of 8 mm and counter plates.

6.8 Tow hook - At all Meets, all automobiles (Except Formula cars) must be fitted with front and rear tow hooks. Tow hook position should be highlighted and indicated clearly.



6.9 Mud flaps - Rear mud flaps are mandatory at all rallies, circuit meets, super cross and autocross events (Gravel). The Mud flaps minimum thickness 4mm and should be broader than the tire being used. The flap cannot be sagging and minimum height from ground level should be 10 cms. If at any

race meet there are two races of the same class irrelevant of the conditions mud flaps will be compulsory for both races.

6.10 Fuel - Only “fuels” commercially retailed in Sri Lanka & currently available at Ceylon Petroleum Corporation (CPC) and Indian Oil Company (IOC) are permitted to be used. The highest grade of fuel that can be used is as follows. **No additives or oxides are permitted.**

*** PETROL 95 OCTANE EURO 4 AND SUPER DIESEL 4 STAR EURO 4**

All Competitors (Except group F cars and group T&J open vehicles) should retain a minimum of 6 liters of fuel in the fuel tank at the end of each event during the following as a mandatory requirement, Competitors failing to do so will be liable for immediate disqualification and or disciplinary action.

- (a) Closed Circuit meets (Tarmac/ Gravel) (Each race)
- (b) Hill Climbs (each Run)
- (c) Each stage at Rallies

The following parameters of the fuel “PETROL 95 OCTANE EURO 4” which are published and available at Ceylon Petroleum Corporation and Lanka Indian oil company will be the standards to be complied. Please contact the SLAS secretariat for details pertaining to the cost and method of getting a fuel sample tested.

PROPERTY	TEST METHOD	SPECIFICATIONS
DENSITY @ 15 °C kg/m ³	ASTM D 1298	720 – 775
SULPHUR CONTENT mg/kg	ASTM D 5453/ASTM D 2622	MAX. 50
LEAD CONTENT g/l	ASTM D 5059 / ASTM D 3237	MAX. 0.005 (NOTE 2)
TOTAL AROMATICS % v/v	ASTM D 5580	MAX 35
OXYGENATE % v/v	ASTM D 4815	MAX. 15
OXYGEN CONTENT % m/m (CALCULATED)		MAX. 2.7
OXIDATION STABILITY, Minutes	ASTM D 525	MIN. 360
BENZENE % v/v	ASTM D 3606 / ASTM D 5580	MAX. 1
OLEFINES CONTENT (% V/V)	ASTM D 1319/ASTM D 6730	MAX 18

6.11 Windscreen/ Glasses - The Front, Rear And Side Glasses Should Be Free From Any Sponsor Stickers. All glasses should be clear or transparent, tinted & or shaded glasses are strictly prohibited. Sponsor Stickers Maximum 6 Inches Wide At the Top of the Front Windscreen and Maximum 6 Inches Wide at the Top of the Rear Glass Are Permitted. The Driver Should Be Visible From Behind and the Side.

6.12 Passenger Seat – Except for Rallies, All front and rear Passenger Seats Have to be removed.

6.13 Power Steering – May Be Disconnected.

6.14 Rims & tires - all 4 Rims should be of the same size, similar design and of the same offset (Except for Formulas, SL GT and SL S and SL H classes).

6.15 All 4 Tires should be of the same size, same make and same Profile for all classed other than Group F.

G-07. NAME AND BLOOD GROUP

The Name and blood group (as specified on SLAS license) should be displayed on the car. For Closed Circuit meets (Gravel and Tarmac) For Road Races, Hill Climbs and Rallies the Name and Blood Group should be displayed on the Rear Left and Right size door glass only. (If Hatch back or a two door car on the rear side glass)(For Rallies, Driver and Navigator should be clearly marked) Name/s and blood group/s cannot be displayed in any other area.

The height / Font Size of the Name and Blood Group should be 5cm and can be displayed only in White color. Name and Blood group written over any tape will not be permitted. No sponsor stickers will be permitted in this area. For Hill Climbs if a car is shared, both names and blood groups should be displayed in the in the area stated above.

G-08. GROUPS

Cars competing in events shall be distributed / Categorized into the following groups.

A vehicle cannot be classified in more than one Group. Upgrading is not allowed for any event.

(1)Group E : Entry Level

(2)Group N : Production Cars – Standard

(3)Group A : Production Cars – Modified

(4)Group S : Specials

(5)Group H : SLAS Homologated Cars

(6)Group GT : Grand Touring Cars

(7)Group T&J: Trucks, Jeeps, Double Cabs, Single Cabs and SUV's.
(Estates and station wagons are excluded).

(8)Group F : Formula Cars

G-09. WHERE CLASSIFICATION IS BY CUBIC CAPACITY:

In the case of supercharging or turbo-charging, the calculated cylinder capacity will be multiplied by 1.7 and the car will pass into the class corresponding to the cubic volume thus obtained. In the case of rotary engines, the capacity (cc) will be deemed to be the equivalent to twice (x2) the volume of the working chamber.

SECTION 2

GROUPS AND CLASSES

Mandatory Requirements for All Classes - All Competitors Participating in any of the SLAS approved race meets should strictly comply with the Minimum Safety standards, in relation to the race gear (**Appendix G Minimum Safety Standards**).

Competitors may apply in writing and obtain prior approval of SLAS to include any car event/s provided a minimum of ten vehicles are assured and presented for inspection with the proposal.

2.1 Group and Class classifications

Group E

- **SLE Cars up to 1000cc** – One make Nissan March
- **SLE Cars up to 1300cc** – Ford Laser/ Mazda 323 BD, BE, BF
Hatch backs & Sedans

Group N

- **SLN Cars up to Cars up to 1300 cc** - Ford Laser / Mazda 323 - BD, BE, BF,
Hatch backs & Sedans
- **SLN Cars up to Cars up to 1500 cc** - Ford Laser / Mazda 323 - BD, BE, BF
Hatch backs & Sedans

Group A

- SLA Mini 7
- SLA cars up to 1050cc

Group S

- SLS Cars up to 1500cc

Group H

- SL H Cars up to 1600 One make – Honda 3 door Hatch back Cars only
- SLH Cars up to 2000 One Make - Subaru Legacy
- SLH Cars up to 1275cc – One Make - Mini

Group GT

- Cars up to 3500cc

Group T&J -

(Trucks, Jeeps, Double Cabs, Single Cabs & SUV's. (Estates & station wagons are excluded)

- Diesel up to 5500cc
- Open for Diesel & Petrol Vehicles (SUV's Allowed)

Group F

- Formula McLarens 1300cc Carburetor
- Formula McLarens 1300cc EFI
- Formula Cars up to 1600cc (Ford Formula)
- Formula Cars Up to 1665 cc (Modified)

SECTION 3

GROUP REGULATIONS & TECHNICAL SPECIFICATIONS

3.1 REGULATIONS FOR GROUP “N” PRODUCTION CARS

3.1.1 DEFINITION

Large scale series Production Cars, equipped with normally aspirated engines.

3.1.2 HOMOLOGATION

At least 2,500 identical examples of these cars must have been

Manufactured in 12 consecutive months (One-Make Series classes are excluded from this rule). Proof of which should be produced.

3.1.3 NUMBER OF SEATS

Cars must be at least a two seater whilst being manufactured.

3.1.4 MINIMUM WEIGHT AND NETT POWER

At the time of homologation, the SLAS Classification Committee of the Sri Lanka Automobile Sports (SLAS) will establish the minimum weight for each make and model of car, based on the manufacturer's net weight. Where a particular model of car has several weights declared, the SLAS will establish the lowest weight applicable in each case, and the competitor will be permitted to reduce the weight in accordance with the rules applicable in the SL-N Group.

3.1.5 ENGINE

Cylinder-Block, Cylinder-Head:

The Series Production Engine should be retained. Maximum re-boring allowed is the second oversize, in relation to the original bore, unless specified under individual class rules. The re-sleeving of the engine is allowed within the

conditions as for re-boring and the sleeve material modified. Planning of the cylinder block will be allowed up to a maximum of 0.50mm. **Reducing the cubic capacity of a series production engine is strictly prohibited.**

(a) **Ignition:**

The make and type of the spark plugs and high-tension leads are free.
The Wire Harness is Free.

(b) **Cooling System:**

Radiator size, make and fan is free. (Unless specified in class regulations)

(d) **Carburetors:**

The original system and type of carburetor must be retained. The operating principal of the carburetor venturi doors has to retain. The components of the Carburetor which control the quantity of petrol entering the combustion chamber may be modified, provided that they do not have any influence over the quantity of air admitted. Air filter(s) are free and they may be removed however the original air cleaner housing should be retained.

(e) **Injection:**

The original system must be retained. Components of the injection system situated Downstream of the air-flow measuring device, and which control the quantity of petrol. Entering the combustion chamber may be modified but not replaced, provided that they do not have any influence over the quantity of air admitted. The injectors may be modified or replaced in order to modify their flow rate, but without modifying their operating principle and their mountings. The injector rail may be replaced with another of free design.

(f) **Lubrication:**

The fitting of baffles in the oil sump is authorized.

(g) **Engine Mounts:**

The material of the engine mountings is free.

(h) **Exhaust:**

Exhaust free, original cast-iron exhaust manifold should be retained.

(i) **Cylinder Head Gasket:**

The material is free. (Unless specified in class regulations)

(j) **Flywheel:**

The original fly wheel should be retained. **(Refer class Regulations)**

(k) **Cruising Speed Controller:**

This controller may be disconnected.

3.1.6 CLUTCH & TRANSMISSION

- (a) **Clutch:** Make and Material is free. **(Unless specified in class regulations).**
- (b) **Gear Box:** The original gear box ratios should be retained, No modifications are permitted **(Refer class regulations)**
- (c) **Final Drive:** The final drive ratio should be as per the manufacturer's specification but in the event of One-Make Series they will be specified.**(Refer class regulations)**

3.1.7 SUSPENSION

Upgrading of Suspension is allowed, mounting positions to be remained unchanged and camber adjustments are permitted.
(Unless specified in class regulation).

3.1.8 WHEELS AND TYRES

Wheels - Free. (Unless specified under particular class rules) Hubcaps must be removed.

Tires - The size of the tire and the word "Competition tires" are specifically excluded, except in "Off-track" (gravel and rallies etc.). The tires may be changed from the manufacturer's specification provided that the aspect ratio is equal to or greater than 50%, unless otherwise specified by the manufacture. By this rule, slicks, semi slicks/special racing tires are specifically excluded.

3.1.9 BRAKING SYSTEM

Brake linings: Free. Upgrading brakes are permitted with OE parts (Same make of vehicle). Protection plates may be removed or bent. In the case of a car fitted with servo-assisted brakes, this device may be disconnected. The same applies for anti-lock braking systems.

(Refer G-02/2.2)

Hand brake:

The mechanical hand-brake may be replaced with a hydraulic system.

3.1.10 BODY, SHELL AND CHASSIS

No modifications may be made to the manufacturer's design of the series production body shell and/or chassis. Reinforcements, in the form of crash or similar bars inside or outside, are not permitted except for the fitting of a Roll Cage.

3.1.11 LIGHTING SYSTEM

The tail lights and Brake lights have to remain in its original mounting position and be in operating condition unless otherwise specified in specific rules for classes. **(Refer G-06/6.4)**

3.1.12 BATTERY

Free. However, must be securely fixed and covered to avoid short-circuiting and leaks.

3.1.13 AIR CLEANER

Air filter element is free, air filter housing should remain.
(Unless specified in class regulations)

SECTION 4

CLASS SPECIFIC REGULATIONS & TECHNICAL SPECIFICATIONS

4.1 Class Specific Regulations for GROUP E cars up to and including 1000cc

(One Make – Nissan March - Grade C License Holders Only)

These rules should be read in conjunction with GROUP N Regulations

4.1.1 Engine Specifications

Bore - 71 mm

Stroke - 63 mm

Using up to maximum of 0.50mm on 2nd oversize from the standard size pistons is allowed. Additional cc from using 2nd oversize pistons is allowed.

Head Height - 120 mm (minimum)

Block Height - 191 mm (minimum)

Throttle body Diameter at butterfly side (Manifold side) – Max 46 mm

Inlet valve diameter - 27.5mm +_ 0.2 mm (tolerance)

Exhaust Valve diameter - 22.5mm

Cam Lobe dimensions - Inlet Lobe Height 38mm – Base Circle 32 mm,

- Exhaust Lobe Height 38mm – Base Circle 32 mm

Valve Springs wire Diameter - Inlet 2.7 mm, exhaust 2.7 mm

No of coils - Inlet 8, Exhaust 8



Intake port

– 37 mm, 30 mm, 20 mm +/- 1 mm (caliper should be placed on the outer edge of the port)

Exhaust port

– 33 mm, 25 mm +/- 1 mm



4.1.2 Transmission

Final drive ratio of 4.47 (maximum allowed)

Gear Ratios- Nissan March series gear box should be used (K10, k11 can be interchanged with newer models but gear ratios should as per Nissan march K11 and k10 series.)

Clutch - Aftermarket not permitted.

Fly wheel - minimum weight should be 6 kg **LSD** - not permitted.

4.1.3 Tires

Racing tires, Slicks or Semi Slicks not permitted. 175 or 185 x 70 x 13 (Only CEAT tyres will be permitted for Tarmac Circuit, Road Races and Hill Climbs Events) * Please contact the SLAS secretariat for information on obtaining tyres. However, this rule will apply as long as the Tyre sponsor is in agreement to provide the given Tyre size and the profile. In case the sponsorship is no longer available to the competitors SLAS will provide an alternate solution.

4.1.4 Air filter, cooling system & wiring harness and ECU free

4.1.5 Weight

MINIMUM CLASS WEIGHT 835 kg (with Driver)

4.2 Class Specific Regulations for GROUP E cars up to and including 1300cc

(One Make Ford Laser/Mazda 323 - Grade C License Holders Only)

To be read in conjunction with Group N Regulations

Body shell and Chassis

Only BD, BE, BF series 4-door sedan/ hatchback.

4.2.1 Engine

E3 (chain driven single or dual)

Bore - 77 mm / Stroke 69.6 mm / CC 1297

Maximum re-bore allowed is the second oversize specified by the manufacturer (.50) in relation to the original bore, the re-sleeving of the engine is allowed within the conditions as for re-boring and the sleeve material modified. Planning of the cylinder block and the cylinder head will be allowed up to a maximum of 0.50 mm. However, the maximum cylinder capacity increased due to reboring cannot exceed 1314cc.

Cylinder head Port sizes

Intake Port Maximum size: 33mm Tolerance: + / - 0.6mm

Exhaust Port Maximum size: 28mm Tolerance: + / - 0.6mm

Valve Spring Thickness and Height is free (Double springs are prohibited)

Compression Ratio

Increase in Compression Ratio up to a maximum of 9.5:1 Permitted by

Facing of cylinder head or block only.

Camshaft

Camshaft must remain as per manufacturer's specifications.

4.2.2 Transmission

Standard (Ratios 1st Gear 3.416, 2nd Gear 1.842, 3rd Gear 1.290, 4th Gear 0.918, 5th Gear 0.775).

Final Drive Ratio 4.105

Flywheel Minimum weight 7 kg.

Clutch Diameter – 184

4.2.3 Suspension

Suspension mounting points must remain as per Manufacture specifications.
Negative Camber is allowed.

Shock Absorber – Make - KYB for Models BD, BE & BF

Part Numbers are as follows:

Front 333025/26 Gas Rear 332019/332020 - Gas

332017/330018 - Gas

333085/333086 - Gas

633049/50 Oil

632034/632035 - Oil

633010/11 Oil

632004/632005 - Oil

632032/632033 - Oil

633111/633112 - Oil

4.2.4 Wheels & Tyres - Wheel Size 5.5J x 13 (Spacers are strictly prohibited)
Racing tires, Slicks or Semi Slicks not permitted. 175 or 185 x 70 x 13 (**Only CEAT tyres will be permitted for Tarmac Circuit, Road Races and Hill Climbs Events**) * Please contact the SLAS secretariat for information on obtaining tyres.

However this rule will apply as long as the Tyre sponsor is in agreement to provide the given Tyre size and the profile. In case the sponsorship is no longer available to the competitors SLAS will provide an alternate solution

4.2.5 Lighting system

The original tail lights or lights of similar size have to be fixed in its original mounting points. Modified or individual lights will not be permitted.

(Refer G.06/6.4)

4.2.6 Weight

MINIMUM CLASS WEIGHT 900 kg (with Driver)

NOTE:.

If a car/cars are involved in a racing accident and determined by SLAS to be rechecked, the car/cars involved must be presented for inspection and obtain a fresh Pre-Scrutinizing approval after completing of the repair prior to Racing the vehicle in any race meet.

4.3 Class Specific Regulations for GROUP N cars up to and including 1300cc

(One Make Ford Laser/Mazda 323 - Grade B License Holders Only)

To be read in conjunction with Group N Regulations

Body shell and Chassis

Only BD, BE, BF series 4-door sedan/ hatchback.

4.3.1 Engine

E3 (chain driven single or dual)

Bore - 77 mm / Stroke 69.6 mm / CC 1297

Maximum re-bore allowed is the second oversize specified by the manufacturer (.50) in relation to the original bore, The re-sleeving of the engine is allowed within the conditions as for re-boring and the sleeve material modified. Planning of the cylinder block and the cylinder head will be allowed up to a maximum of 0.50 mm. However the maximum cylinder capacity increased due to reboring cannot exceed 1314cc.

Cylinder head Port sizes

Intake Port Maximum size: 33mm Tolerance: + / - 0.6mm

Exhaust Port Maximum size: 28mm Tolerance: + / - 0.6mm

Valve Spring Thickness and Height is free (Double springs are prohibited)

Compression Ratio

Increase in Compression Ratio up to a maximum of 9.5:1 Permitted by

Facing of cylinder head or block only.

Camshaft

Camshaft must remain as per manufacturer's specifications.

4.3.2 Transmission

Standard (Ratios 1st Gear 3.416, 2nd Gear 1.842, 3rd Gear 1.290, 4th Gear 0.918, 5th Gear 0.775).

Final Drive Ratio 4.105

Flywheel Minimum weight 7 kg.

Clutch Diameter – 184mm

4.3.3 Suspension

Shock Absorber – Make - KYB for Models BD, BE & BF

Suspension mounting points must remain as per Manufacture specifications.
Negative Camber is allowed.

Part Numbers are as follows:

Front 333025/26 Gas Rear 332019/332020 - Gas

332017/330018 - Gas

333085/333086 - Gas

633049/50 Oil

632034/632035 - Oil

633010/11 Oil

632004/632005 - Oil

632032/632033 - Oil

633111/633112 - Oil

4.3.4 Wheels & Tyres

Wheel Size 5.5J x 13 (Spacers are strictly prohibited)

Racing tires, Slicks or Semi Slicks not permitted. 175 or 185 x 70 x 13 **(Only CEAT tyres will be permitted for Tarmac Circuit, Road Races and Hill**

Climbs Events) * Please contact the SLAS secretariat for information on obtaining tyres.

However, this rule will apply as long as the Tyre sponsor is in agreement to provide the given Tyre size and the profile. In case the sponsorship is no longer available to the competitors SLAS will provide an alternate solution.

4.3.5 Lighting system

The original taillights or lights of similar size have to be fixed in its original mounting points. Modified or individual lights will not be permitted.

(Refer G.06/6.4)

4.3.6 Weight - MINIMUM CLASS WEIGHT 900 kg (with Driver)

NOTE:

If a car/cars are involved in a racing accident and determined by SLAS to be rechecked, the car/cars involved must be presented for inspection and obtain a fresh Pre-Scrutinizing approval after completing the repair prior to Racing the vehicle in any race meet.

4.4 Class Specific Regulations for GROUP N cars up to and including 1500cc

(One Make Ford Laser/Mazda 323 - Grade B License Holders Only)

To be read in conjunction with Group N Regulations

Body shell and Chassis

Only BD, BE, BF series 4-door sedan/ hatchback

4.4.1 Engine

E5 (chain driven single or dual)

Bore - 77 mm / Stroke 80 mm / CC 1491

Maximum re-bore allowed is the second oversize specified by the manufacturer (.50) in relation to the original bore, the re-sleeving of the engine is allowed within the conditions as for re-boring and the sleeve material modified. Planning of the cylinder block and the cylinder head

will be allowed up to a maximum of 0.50 mm. However, the maximum cylinder capacity due to reboring cannot exceed 1510cc.

Cylinder head Port sizes

Intake Port Maximum size: 33mm Tolerance: + / - 0.6mm

Exhaust Port Maximum size: 28mm Tolerance: + / - 0.6mm

Valve Spring Thickness and Height is free (Double springs are prohibited)

Compression Ratio

Increase in Compression Ratio up to a maximum of 9.5:1 Permitted by

Facing of cylinder head or block only.

Camshaft

Camshaft must remain as per manufacturer's specifications.

4.4.2 Transmission

Standard (Ratios 1st Gear 3.416, 2nd Gear 1.842, 3rd Gear 1.290, 4th Gear 0.918, 5th Gear 0.775).

Final Drive Ratio 3.850

Flywheel Minimum weight 7 kg.

Clutch Diameter – 190mm

4.4.3 Suspension

Suspension mounting points must remain as per Manufacture specifications. Negative Camber is allowed.

Shock Absorber – Make - KYB for Models BD, BE & BF

Suspension mounting points must remain as per Manufacture specifications. Negative Camber is allowed.

Part Numbers are as follows:

Front 333025/26 Gas Rear 332019/332020 - Gas

332017/330018 - Gas

333085/333086 - Gas

633049/50 Oil

632034/632035 - Oil

633010/11 Oil

632004/632005 - Oil

632032/632033 - Oil

633111/633112 - Oil

4.4.4 Wheels & Tyres

Wheel Size 5.5J x 13 (Spacers are strictly prohibited)

Racing tires, Slicks or Semi Slicks not permitted. 175 or 185 x 70 x 13 **(Only CEAT tyres will be permitted for Tarmac Circuit, Road Races and Hill Climbs Events)** * Please contact the SLAS secretariat for information on obtaining tyres.

However, this rule will apply as long as the Tyre sponsor is in agreement to provide the given Tyre size and the profile. In case the sponsorship is no longer available to the competitors SLAS will provide an alternate solution.

4.4.5 Lighting system

The original taillights or lights of similar size have to be fixed in its original mounting points. Modified or individual lights will not be permitted.

(Refer G.06/6.4)

4.4.6 Weight

MINIMUM CLASS WEIGHT 940 kg (with Driver)

NOTE:

If a car/cars are involved in a racing accident and determined by SLAS to be rechecked, the car/cars involved must presented for inspection and obtain a fresh Pre-

Scrutinizing approval after completing the repair prior to Racing the vehicle in any race meet.

4.5 Class Specific Regulations for GROUP A cars Mini 7 One Make

(Grade B License Holders Only)

These rules shall apply to Mini/ Mini clubman cars manufactured up to 2000

No alternations are allowed on the Engine, Cylinder Head or Gearbox for that model apart from those modifications specifically allowed below

4.5.1 ENGINE

All cars must be raced with standard Mini 998 cc, non-Cooper/S engines and Gearbox.

Standard 998 cc 'A' series or 'A'+ cylinder block is mandatory.
All '99H' series blocks.

It is permitted to convert a car normally supplied or homologated as a 850 cc to a 998 cc/1275 cc (or vice versa) provided that all the elements that would have had to have been present in the original form of the vehicle according to these regulations are still present after conversion.

Bore - 64.58mm x 76.2mm (998.39 cc)

Maximum bore size permitted $64.58 + 1.5\text{mm} = 66.08\text{mm}$

Only the Standard mini 1000cc Cylinder Head must be retained. The Ports of the Original / above mentioned 1000cc Cylinder heads may be enlarged.

Crankshaft

Any production Mini with standard stroke 76.20 mm permitted.

Cooper S Crankshafts Part Nos: 12 A 595, 12A1454, BHM 1436 NOT allowed

Cams - FREE

Optimizing valve timing is permitted. Provided the original duplex wheels are retained. The use of venire adjustments are prohibited.

Valves and springs - Double Valve Springs Permitted.

Inlet 1 1/6th inch dia., Exhaust 1 inch dia.

Pistons and rings

[Minimum of 3 rings] must be of original specification and material and cannot be modified. The pistons can be flush with the block face, but no part of it can protrude beyond the block face. The original / standard piston can only be replaced with unmodified aftermarket pistons.

Connecting rod - can only be replaced with part number:

A Series - 2 Nos.	12G123	} Gudgeon Pin
	2 Nos.	12GI26 Bush type
A+ Series - 2 Nos.	12A1997	} Interference
	2 Nos.	12A1999 } Fi Type

4.5.2 INDUCTION SYSTEM

A single 1.75" / 44.45 mm SU HS6 carb or single 1.75" (HS4/HIF)

Carburetor. The air filter element free.

4.5.3 EXHAUST SYSTEM

The exhaust system is free.

4.5.4 IGNITION SYSTEM

The low tension switching of the ignition system shall only be with a contact breaker System. The ignition distributor should be fitted as standard the use of magnetic field electrical breakers will be permitted in place of Platinum electrical breakers. Nos. 25D4 / 45D4 / 49D4 / 59D4.

4.5.5 COOLING

The standard engine driven cooling fan should be retained in original working order.

4.5.6 AIR CLEANER

Air filter element and housing is free.

4.5.7 TRANSMISSION & CLUTCH

The combined weight of the flywheel and clutch assembly [clutch plate and back plate] should not be less than 5.9kg.

Flywheel

Permitted is the Cast Iron or Steel one fitted as standard on the A or A+ engines. Reshaping of the cylinder head inlet and exhaust ports and/or valve chambers is allowed.

Prohibited - Aluminum or competition flywheel / racing gears

Gear Ratios

Final Drive STD helical cut 3.76 RATIO (pinion 17-teeth and crown wheel 64-teeth). [A+ Series]

The 29-tooth Primary Gear and the 29-tooth Input Gear must remain standard along with the intermediate gear [idler] 37-tooth and must not be interchanged with any other ratios. The intermediate gear must remain standard. [A Series]

The 24-tooth Primary Gear and the 24-tooth Input Gear must remain

Standard along with the intermediate gear [idler]

31-tooth and must not be interchanged with any other ratios. The intermediate gear must remain standard.

Prohibited - Locked, torque reducing or any form of limited slip diff prohibited. The replacement of any gears from the main gear cluster and lay gear as fitted to the Mini 1000, which will in any way alter the ratios, is not allowed.

4.5.8 SUSPENSION

Rear radius arms cannot be lightened or altered.

The vehicle may be lowered by alteration of cone/doughnut only.

The original shock absorber length, mounting points and supports cannot be changed. Adjustable shock absorbers Allowed. Negative Camber Allowed.

4.5.9 BRAKES

Mini fins not allowed. The drilling or grooving of any brake parts is prohibited.

4.5.10 WHEELS, TYRES & STEERING

Wheel width and size: up to 6 inches by 10 inches OR 12 inches.

Split-rimmed wheels are prohibited/ No racing slick tyres allowed.

4.5.11 Weight

MINIMUM CLASS WEIGHT 695 kg (with Driver)

4.6 Class Specific Regulations for Group A Modified Cars UP TO 1050cc

(Grade B License Holders Only)

4.6.1 DEFINITION - Large scale series production cars.

4.6.2 HOMOLOGATION

At least 2500 identical body shells of these cars must have been manufactured in 12 consecutive months.

4.6.3 NUMBER OF SEATS

Cars should have two (02) seats minimum in design at original production stage.

4.6.4 CUBIC CAPACITY

Maximum engine capacity 1050 cc

4.6.5 ENGINE MODIFICATIONS

All modifications are permitted, as long as a series production engine block and cylinder head of the same series of body shell used is retained and the cubic capacity (cc) does not exceed 1050cc. De-stroking is not permitted. All competitors shall declare in writing to the Chief scrutineer at each race meet the following details as per the given document.

Refer – Attachment SLAS/APPENDIX G/ ATTACHMENT 1

4.6.6 TURBO CHARGED OR SUPER CHARGED

The capacity of the engine will be deemed to be the measured capacity multiplied by the factor 1.70.

4.6.7 ROTARY ENGINE

The capacity (cc) will be deemed to be equivalent to twice (x2) the volume of the working chamber.

4.6.8 BODY PARTS AND GLASS ITEMS

All body parts and glass items must be retained as per the original car. However, only Polycarbonate (of minimum thickness 4mm) may replace the side and rear glasses. Removing the headlights, seats, upholstery, dashboard and carpeting is permitted. The holes may be closed using sheet metal or plastic materials, and may be welded, stuck or riveted. Other apertures in the bodywork may be closed, by adhesive tape only. The original mounting points of the taillight/ brake lights have to be retained. The lenses of these lights have to be clean.

Buffers may be removed for Gravel circuit meets and rallies, compulsory for tarmac and hill climbs.

4.6.9 AIR CLEANER

Air filter element, housing and Pipe is free.

4.6.10 CHASSIS / BODYSHELL

No modifications may be made in the manufacturer's design of the series production body shell and/or chassis. Reinforcements, in the form of crash or similar bars inside or outside, are not permitted except for the fitting of a Roll Cage. However Seam welding, strengthening are permitted.

4.6.11 RE-BORING

Re-boring must not result in increased capacity so as to make the engine pass into a higher class or exceed the limit allowed in class.

4.6.12 Tires

Tires are free

4.6.13 Weight

MINIMUM CLASS WEIGHT 725KG (with driver)

4.7 Class Specific Regulations for GROUP S cars up to and Including 1500cc

(Grade A and B License Holders Only)

4.7.1 HOMOLOGATION

Any Body shell/Chassis

4.7.2 MODIFICATION

Engine, Gearbox, Air Intake, Suspension and Braking System is

Permitted, provided the engine is originally designed for/ or derived from any automobile of any make or model.

4.7.3 EXCLUSIONS

Motorcycle/boat/aircraft engines is not allowed.

Turbo, Rotary and super charged engines, are allowed, provided that it does not exceed the class limit.

Number of Seats: Minimum 02 front mounted seats when being manufactured.

Maximum Cubic Capacity up to and including: 1500 cc with De-

Stroked engines Minimum weight to be 1000KG (with driver)

Maximum Cubic Capacity up to and including: 1500 cc – with Non

De-Stroked Engines Minimum weight to be 800KG (with driver)

Maximum Cubic Capacity up to and including: 1350 cc - Minimum weight to be 700KG (with driver)

The original taillights or lights of similar size have to be fixed in its original mounting points. Modified or individual lights will not be permitted

4.7.4 Safety Regulations should conform to General Specifications

4.7.5 MODIFICATIONS BODY

All modifications permitted. However, any vehicle considered unsafe or not race worthy as deemed by the Chief Scrutinizer/ Stewards of the Meet or the Organizing Committee will not be permitted to participate.

4.7.6 TIRES

Tires are free.

4.8 Class Specific Regulations for GROUP H Cars SLH 1600

(One Make HONDA Hatch Back 3 door - Grade A and B License Holders Only)

These rules should be read in conjunction with GROUP N regulations

4.8.1 Definitions

Manufacturer	- HONDA MOTOR CO., LTD
Engine	- B16A
Cylinder Capacity	- 1,596cc (STD)

4.8.2 Engine

Bore	- 81.00MM (0.50mm 2nd Oversize allowed. Max Bore 81.50mm Max CC 1615.774CC)
Stroke	- 77.40MM
Connecting rod	- Steel
Crank Shaft	- Steel
Sleeves	- Cast Iron
Total minimum volume of a Combustion Chamber in the Cylinder head	- 41.3cm
Minimum volume of a combustion Chamber in the cylinder head	- 42.2cm
Minimum height of the cylinder block	- 263mm (To be measured from the center of The line bore of the crank to the top of the deck)
Piston Material	- Aluminum-alloy
Number of Rings	- 3
Distance from wrist pin center Line to highest point of piston crown	- 13.5mm +/- 0.1mm

Distance from Piston at TDC and the gasket plane of the cylinder block - +3.5mm +/- 0.3mm

Crankshaft Maximum diameter of Big end journals - 45.0mm

Cylinder Head Minimum Height - 140.5mm

Thickness of Cylinder Head - 0.7mm +/- 0.2mm

Gasket

Inlet Valve Diameter - 33mm

Exhaust Valve Diameter - 28mm

VALVE SPRINGS

Inlet

Number of springs per valve - 2

Exterior diameter of the springs - Inner Spring 20.2mm +/-0.2mm
Outer Spring 28.9mm +/-0.2mm

Diameter of Spring Wire - Inner Spring 2.3mm +/- 0.1mm
Outer Spring 3.5mm +/- 0.1mm

Number of Spring Coils - Inner Spring 6.43
Outer Spring 7.74

Maximum Free Length of the Springs - Inner Spring 36.7mm
Outer Spring 40.9mm

Exhaust

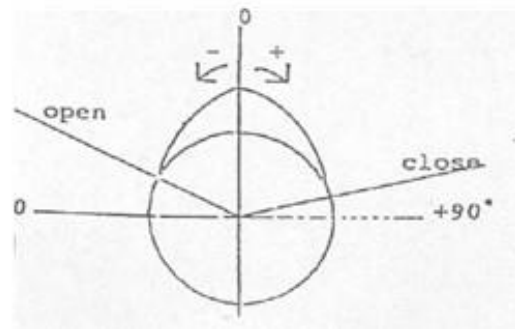
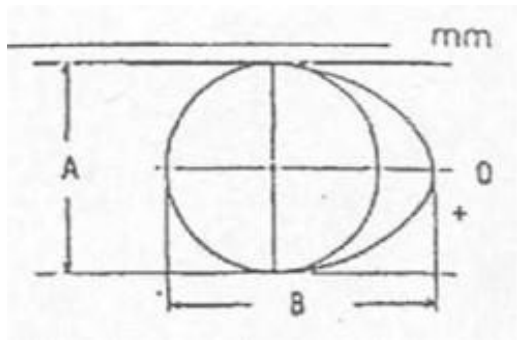
Diameter of the manifold exit(s) - 42.0mm +/- 1.5mm

Number of Springs per Valve - 1

Exterior Diameter of the Spring - 29.3mm +/- 0.2mm

Number of Spring Coils	- 6.44
Diameter of Spring Wire	- 3.7mm +/- 0.1mm
Maximum Free Length of the Spring	- 41.95mm

CAMSHAFTS



VTEC CAM Lobe Dimensions

Inlet	"A"	=	29.5mm	+/- 0.2mm
Inlet	"B"	=	36.4mm	+/- 0.3mm
Exhaust	"A"	=	29.5mm	+/- 0.2mm
Exhaust	"B"	=	35.7mm	+/- 0.3mm

SECONDARY CAM Lobe Dimensions

Inlet	"A"	=	29.5mm	+/- 0.2mm
Inlet	"B"	=	35.0mm	+/- 0.3mm
Exhaust	"A"	=	29.5mm	+/- 0.2mm
Exhaust	"B"	=	34.7mm	+/- 0.3mm

PRIMARY CAM Lobe Dimensions

Inlet	"A"	=	29.5mm	+/- 0.2mm
Inlet	"B"	=	33.1mm	+/- 0.3mm
Exhaust	"A"	=	29.5mm	+/- 0.2mm
Exhaust	"B"	=	32.8mm	+/- 0.3mm

4.8.3 Induction System

Throttle Body bore Diameter	-	60.00mm + 0.2mm
Air filter element and housing	-	Free

4.8.4 Exhaust

Exhaust is Free. The Manufacturer's Cast Iron Exhaust Manifold should be retained. (4-2-1)

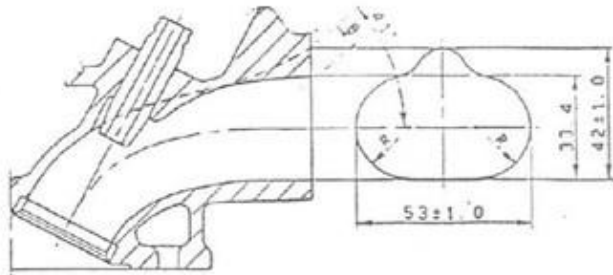
4.8.5 Inlet Manifold, Exhaust Manifold, Inlet & Exhaust Ports Cylinder Head Dimensions

DRAWINGS / 図解

Engine / エンジン

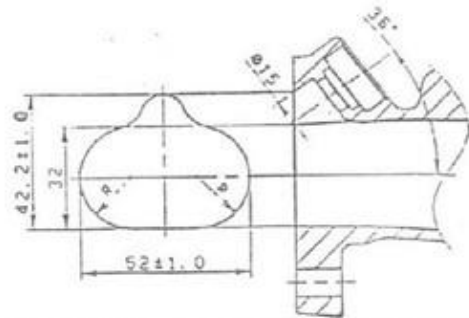
I Cylinderhead inlet ports, manifold side

(tolerances on dimensions: -2%, +4%)
 シリンダーインテークポート、マニホールド側
 (寸法公差: -2%+4%)



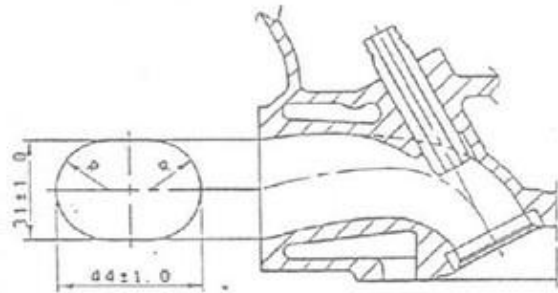
II Inlet manifold ports, cylinderhead side

(tolerances on dimensions: -2%, +4%)
 インテークマニホールドポート、シリンダーヘッド側
 (寸法公差: -2%+4%)



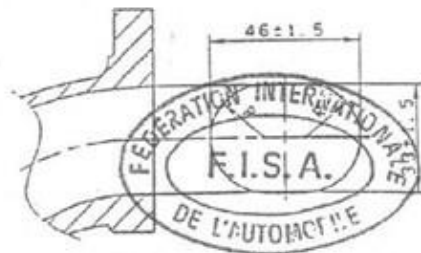
III Cylinderhead exhaust ports, manifold

side (tolerances on dimensions: -2%, +4%)
 シリンダーヘッドエキゾーストポート、マニホールド側
 (寸法公差: -2%+4%)



IV Exhaust manifold ports, cylinderhead

side (tolerances on dimensions: -2%, +4%)
 エキゾーストマニホールドポート、シリンダーヘッド側
 (寸法公差: -2%+4%)



4.8.6 Ignition System

Number of Ignition Coils - 01

4.8.7 Transmission

Clutch Type - Dry single plate

Diameter of Clutch Plate - 220mm +/- 2mm

Flywheel Weight - 7.4kg

LSD - Aftermarket is permitted

Gear Ratio's

1st Gear - 3.230

2nd Gear - 2.105

3rd Gear - 1.458

4th Gear - 1.107

5th Gear - 0.848 Reverse - 3.000

Final Drive - 4.400

4.8.8 Body Parts & Glass Items

All body parts must be retained. However, only polycarbonate minimum thickness is 4mm may replace the door and side panel glasses which are permanently fixed.

The taillights and stop lights have to be retained and be in operating condition. Headlights/ front lights, all interior equipment can be removed or replaced. All seats other than the drivers racing seat must be removed. The front passenger seat (proper racing seat similar to the drivers racing seat can be fitted only for Rallies. Head lights may be covered with suitable material. Buffers may be removed for Gravel meets and rallies only, (bumpers are compulsory for tarmac). Use of fiberglass or any other material other than any form of steel and or bars on Front Fenders and Bumpers is permitted, as an option to the original parts. The Design of the Front bumper, Rear Bumber, Front Fenders and Rear Spoiler is free. The Boot Lid may be modified. Hidden lurk bars behind the front and rear bumpers is strictly prohibited. However, if a Crash bar or Lurk bar has been attached to the car when it is manufactured, the Competitor shall declare same with proof of documentation to the chief scrutineer at each and every event. Aero dynamics and dynamical devices will be allowed. Trim strips and body moldings may be removed

4.8.9 Others

- The use of Data Loggers allowed.
- Twin or multiple injectors are not allowed.
- Engine Mounts – The Number of Mounts and Material is free.
- Wire Harness and ECU is Free
- Original Fuel Tank mounted in its original position with its original mounting must be retained, use of external fuel pump and regulator is allowed.
- Aftermarket Oil cooler and oil catch tank is allowed.

4.8.10 Tires

Semi Slick Tires (dot-rated) to be used for Tarmac - Circuit meets & Hill climbs, Competition Tires to be used for - Super cross & Rallies.

4.8.11 Weight

MINIMUM CLASS WEIGHT 1075KG (with Driver)

4.9 Class Specific Regulation for GROUP H cars SLH 2000

(One Make - Subaru Legacy Grade B License Holders Only)

These rules should be read in conjunction with GROUP N regulations

4.9.1 MAKE

Subaru

4.9.2 MODELS ALLOWED

Legacy- BC, BJ, BF, BD, BG and BK

2,000cc (Non-Turbo)

4.9.3 DEFINITIONS

Manufacturer : Subaru Corporation/ Fuji Heavy Industries

Engine permitted : EJ20 N/A (NATURALLY ASPIRATED)

Cylinder Capacity : 1994cc

4.9.4 ENGINE

Bore - 92.00mm (2nd Oversize allowed 92.5mm)

Stroke	- 75.00mm
Con Rod	- Steel
Crank Shaft	- Steel
Sleeves	- Cast Iron
Maximum Compression Ratio	- 11.6:1
Piston	- O.E. Pistons only permitted
Piston Material	- Aluminum-Alloy
Re-Sleeving Material	- Free
Camshaft	- Free
Valve Spring	- Intake & Exhaust single Valve Spring only
Make & Material	Free
Valve Diameter	- Intake not to exceed 36mm - Exhaust not to exceed 32mm
Valve Stem Diameter	- Intake not to exceed 06mm - Exhaust not to exceed 6mm
Valve Overall Length	- Intake not to exceed 104.5mm - Exhaust not to exceed 104.6mm
Valve Seat Angle	- Intake and Exhaust 45 degrees

4.9.5 Induction

Throttle Body bore Diameter	-	66.00mm
Air filter element and housing	-	Free

4.9.6 Transmission

5 speed manual, All Wheel Drive

Final Drive - 4.44 or 4.11

Clutch, Flywheel, LSD - **Free**

4.9.7 Electrical, Wire harness, ECU, Fuel System - Free

4.9.8 Tires

Semi Slick Tires (dot-rated) to be used for Tarmac - Circuit meets & Hill climbs, Competition Tires to be used for - Super cross & Rallies.

4.9.9 Weight

MINIMUM CLASS WEIGHT 1175KG (with Driver)

4.10 Class Specific Regulations for GROUP H cars up to and including 1275cc

(One Make Mini 1275cc - Grade B and C License Holders Only)

All cars must be raced with standard Mini 1275 cc, non-Cooper/S engines and gearbox. No alternations are allowed on the Engine, Cylinder Head or Gearbox for that model apart from those modifications specifically allowed below.

These rules shall apply to Mini / Mini clubman cars manufactured up to 2000.

4.10.1 ENGINE

Standard 1275 cc Cylinder block is mandatory. All '12A' '12H' series blocks.

It is permitted to convert a car normally supplied or homologated as a 850 cc / 998 cc/1275 cc (or vice versa) provided that all the elements that would have had to have been present in the original form of the vehicle according to these regulations are still present after conversion.

The Connecting Rod Can only be replaced with part # BHM 1137

Bore - $(2.78\text{in} + .060\text{in} = 2.84\text{in})$ $70.61\text{mm} + 1.5\text{mm} = 72.14\text{mm} \times (3.2)$

81.28mm (1275 cc) Maximum bore size permitted $70.61 + 1.5\text{mm} = 72.14\text{mm}$

Only the Standard mini 1275cc (12G940) Cylinder Head must be retained. Minimum head height should be 69mm. The Ports of the Original / above mentioned 1275cc Cylinder heads may be enlarged. 12A & 12H engine blocks will be permitted. Minimum bore diameter permitted is (+ 60 piston) 72.14.

Pistons and rings:

[Minimum of 3 rings] must be of original specification and material and cannot be modified. The pistons can be flush with the block face, but no part of it can protrude beyond the block face.

The original / standard piston can only be replaced with unmodified aftermarket pistons.

Connecting Rod:

Can only be replaced with part number:

A Series	2 Nos.	12G123	} Gudgeon Pin
	2 Nos.	12G126	} Bush Type
A+ Series	2 Nos.	12A1997	
	2 Nos.	12A1999	} Fi Type

Crankshaft

Any production Mini with standard stroke 81.28 mm permitted.

Cooper S Crankshafts Part Nos: 12 A 595, 12A1454, BHM 1436 NOT allowed

Camshafts

Camshaft standard.

Checking Clearance 0 .017 in

Inlet Valve Lift - 0 .263 in	Exhaust Valve Lift -0 .263 in
Camshaft Duration: Inlet 230 degree	Exhaust 252 degrees
Lobe center angle: Inlet 106 degree	Exhaust 109 degrees

Optimizing valve timing is permitted. Provided the original wheels are retained. The use of venire adjustments is prohibited. Valves and springs – Double Valve Springs Permitted. Inlet 35.71mm dia., Exhaust 29.38mm dia. (as per specs of Haynes Manual)

4.10.2 INDUCTION SYSTEM

A single 1.75" mm SU HS6 Carb or single 1.75' (HIF 44) carburetor is Permitted. The air filter element free.

4.10.3 EXHAUST SYSTEM

The exhaust system is free.

4.10.4 IGNITION SYSTEM

The ignition system shall only be with a contact breaker system. The ignition distributor should be as fitted as standard. Nos. 25D4 / 45D4 / 49D4 / 59D4 / 65DM4. Electronic ignition allowed.

The use of magnetic field electrical breakers will be permitted in place of platinum electrical breakers.

4.10.5 COOLING

The standard engine driven cooling fan should be retained in original working order.

4.10.6 TRANSMISSION & CLUTCH

The combined weight of the flywheel and clutch assembly [clutch plate and back plate] should not be less than 5.9kg.

Prohibited Aluminum or competition flywheel / racing gears

GEAR RATIOS

Final Drive STD helical cut 3.211 RATIO (pinion 19-teeth and crown wheel 61 teeth). [A+ Series]

The 29-tooth Primary Gear and the 29-tooth Input Gear must remain

Standard along with the intermediate gear [idler]

37-tooth and must not be interchanged with any other ratios.

The intermediate gear must remain standard. (29:37:29)

Prohibited- Locked, torque reducing, or any form of limited slip diff prohibited.

The replacement of any gears from the main gear cluster and lay gear as fitted to the Mini 1000 that will in any way alter the ratios is not allowed.

4.10.7 SUSPENSION

Rear radius arms cannot be lightened or altered. The vehicle may be lowered by alteration of cone/doughnut only. The original shock absorber length, mounting points and supports cannot be changed. Only pressure Adjustable shock absorbers Allowed. Negative Camber allowed.

4.10.8 BRAKES

Mini fins not allowed. The drilling or grooving of any brake parts. Split-rimmed wheels are prohibited.

4.10.9 WHEELS, TYRES & STEERING

Wheel width and size: “up to 6 inches by 10 inch for Gravel” (is deleted as per the council approved decision on 23rd December 2019 via amendment 01 to Appendix G published on 1st April 2019.)

12 inch for Tarmac.

Racing tires, Slicks or Semi Slicks not permitted. 155 x 65 x 12 **(Only CEAT tyres will be permitted for Tarmac Circuit, Road Races and Hill Climbs Events)** * Please contact the SLAS secretariat for information on obtaining tyres.

However, this rule will apply as long as the Tyre sponsor is in agreement to provide the given Tyre size and the profile. In case the sponsorship is no longer available to the competitors, SLAS will provide an alternate solution.

4.10.10 WEIGHT

MINIMUM CLASS WEIGHT 695 kg (with Driver)

4.11 Class Specific Regulations for Group GT Cars up to 3500cc

(Grade A License Holders Only)

4.11.1 DEFINITION

Large scale series production cars.

4.11.2 HOMOLOGATION

At least 2500 identical body shells of these cars must have been manufactured in 12 consecutive months.

4.11.3 NUMBER OF SEATS

Cars must have four (04) seats minimum whilst being manufactured.

4.11.4 WEIGHT

Up to 3500 cc - 1350Kgs (with the Driver)

4.11.5 ENGINE MODIFICATIONS

All modifications are permitted as long as a series production engine block is retained, and the cubic capacity (cc) does not exceed the class limit. The Engine could be interchanged with an earlier/later model of the

same series. However, for Mitsubishi Lancer/ Cedia Cars that are been upgraded to a 4WD from a 2 Wheel Driver an Engine change will be permitted only to a 4G63 (Upgrade up to Evo 9) or a 4B11 (Upgrade to Evo 10). Oil cooler is free.

For Turbocharged or Supercharged engines, the capacity of the engine will be deemed to be the measured capacity multiplied by the factor 1.70. For Rotary engine, the capacity (cc) will be deemed to be equivalent to twice (x2) the volume of the working chamber.

4.11.6 BODY SHELL/ CHASSIS

No modifications may be made to the manufacturer's design of the series production body shell and / or chassis. However, the only modifications permitted to the body shell would be - seam welding, strengthening, mounting roll cage and that which is necessary to convert or upgrade a vehicle from a two-wheel drive to a four-wheel drive and widening of the rear fenders and in addition the front nose panel could be modified in order to make it detachable. However, if a nose panel is been modified, the design should be sent to SLAS for approval prior to carrying out the modification.

4.11.7 AIR CLEANER

Air filter element and housing is free.

4.11.8 BODY PARTS and GLASS ITEMS

All body parts and glass items must be retained. However, only Polycarbonate door windows (of minimum thickness 4mm) may be replaced, front and rear windscreens glass must remain.

The taillights and stop lights have to be retained and be in operating condition. Headlights/ front lights, all interior equipment can be removed or replaced. All seats other than the drivers racing seat must be removed. The front passenger seat (proper racing seat similar to the drivers Racing seat can be fitted only for Rallies. Head lights may be covered with suitable material. Buffers may be removed for Gravel meets and rallies only, (bumpers are compulsory for tarmac). Use of fiberglass or any other material other than any form of steel and or bars on Front Fenders and Bumpers is permitted, as an option to the original parts. The Design of the Front bumper, Rear Bumber, Front Fenders and Rear Spoiler is free. The Boot Lid may be modified. Hidden lurk bars behind the front and rear bumpers is strictly prohibited. However, if a Crash bar or Lurk bar has been attached to the car when it is manufactured, the Competitor shall declare same with proof of documentation to the chief

scrutineer at each and every event. Aero dynamics and dynamical devices will be allowed. Trim strips and body moldings may be removed.

4.11.9 RE-BORING

Re-boring must not result in increased capacity so as to make the engine pass into a higher class or exceed the limit allowed by these regulations.

4.11.10 TURBOCHARGED OR SUPERCHARGED CARS UP TO 3500 CC

The series production turbocharger or supercharger must be retained in the original position as per the standard engine. Replacing internals or housings or any other part among series production or aftermarket turbochargers or superchargers are prohibited. Any modification/ s to the original turbo charger or its components is strictly prohibited (Including waste gate). External waste gates are prohibited.

4.11.11 RESTRICTOR

All turbocharged or supercharged cars must be fitted with a 36mm restrictor fixed to the compressor housing. The 36 mm area should be maintained for a minimum of 3 mm. All the air necessary for feeding the engine must pass through the restrictor.

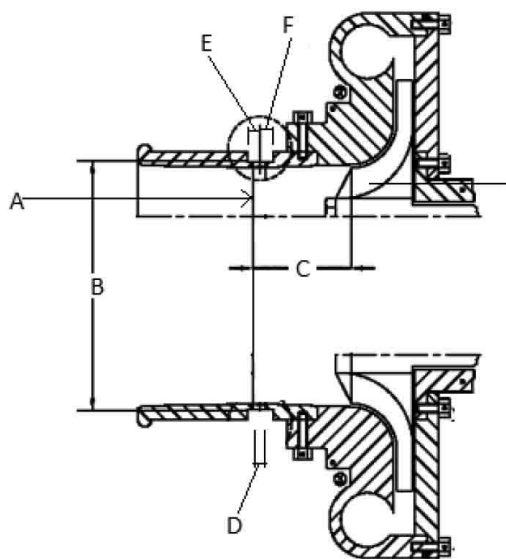
The maximum internal diameter of the restrictor is 36 mm, maintained for a minimum distance of 3 mm measured downstream of a plane perpendicular to the rotational axis situated at a maximum of 50 mm upstream of a plane passing through the most upstream extremities of the wheel blades, this diameter must be complied regardless of the temperature conditions. This rule will apply to all events except for hill climbs.

The external diameter of the restrictor at its narrowest point, must be less than 42 mm, and must be maintained over a distance of 5 mm to each side.

The mounting of the restrictor onto the turbocharger must be carried out in such a way that two screws have to be entirely removed from the body of the compressor, or from the restrictor in order to detach the restrictor from the compressor. Attachments by means of needle screws are not authorized.

For the installation of this restrictor, it is permitted to remove material from the compressor housing, and add to it, for the sole purpose of attaching the restrictor onto the compressor housing. The head of the screws must be pierced so that they can be sealed.

The restrictor must be made from a single material and may be pierced solely for the purpose of mounting and sealing which must be carried out between the mounting screws, between the restrictor (or the restrictor



- A - Maximum internal diameter at the narrowest point must not exceed 36mm at any temperature.
- B - Maximum External diameter over the 36mm orifice must not exceed 42mm at any temperature.
- C - Maximum distance from the beginning* of the 36mm orifice to the impeller blade must not exceed 50mm at any temperature.
- D - The 36mm orifice must be maintained for a minimum of 3mm.
- E & F - The 42mm external diameter limit must be maintained for a minimum of 5mm on to either side from the center of the 36mm orifice.

Notes -

1. 'Beginning' of the restrictor is considered as the side towards the air inlet pipe from the air filter, not the turbo side.
2. The restrictor must be made of one block of material.
3. All air passing through to the engine must not by pass the restrictor under no circumstance.
4. The 36mm orifice must be maintained right round its circumference.

compressor housing attachments), the compressor housing (or the housing/flange attachment) and the turbine housing (or the housing/flange attachment). In case of an engine with two parallel compressors, each compressor must be limited by a restrictor with a maximum internal diameter of 28.0 mm and a maximum external diameter of 32 mm in the conditions set out above.

Normal aspirated engines with a CC of more than 2000 should have a restrictor, with an internal diameter of 43.2 mm (in the case of one restrictor) and 31.3mm in the case of two (02) restrictors.

Refer drawing below:

4.11.12 RACE WORTHINESS AND SAFETY

Competitors must ensure that the competition vehicle is race worthy and safe. The interpretation of this clause will lie with the Chief scrutiner / Stewards of the meet.

4.11.13 TIRES

Tires are Free for Gravel, Rallies and Hill Climbs, however a one make Tire has been approved made compulsory for all Circuit (Tarmac) Race meets. TIRES permitted (Under Dry Conditions) for qualifying and Racing will be as follows.

FOR YEAR 2021 ONLY

HANKOOK VENTUS Z214 and F200

SIZE - 245/40ZR17 and 240/610R17

COMPOUND (C51) and (C5- 1017075)

FROM YEAR 2022 ONWARDS (Refer SLGT Drivers Association letter dated 9th March 2021 which was ratified at the Council meeting held on the 9th of March 2021.

HANKOOK VENTUS F200

SIZE - 240/610R17

COMPOUND (C5- 1017075)

However, this rule will apply as long as the Tyre sponsor is in agreement to provide the given Tyre size and the profile. In case the sponsorship is no longer available to the competitors, SLAS will provide an alternate solution.

In case of Wet weather, the organizing Club/ The Clark of the course has to declare that the track is Wet in order for Wet tyres to be used prior to a qualifying session or race.

4.11.14 FUEL TANK

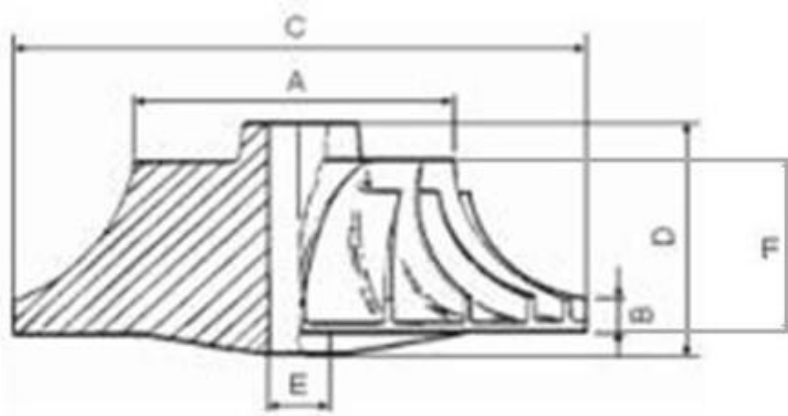
The fuel tank should be mounted in the original manufactures mounting position.

4.11.15 Exhaust

Exhaust is free.

4.11.16 SL-GT up to 3500CC TURBO MEASUREMENTS – Maximum Dimensions. APG-GT-01

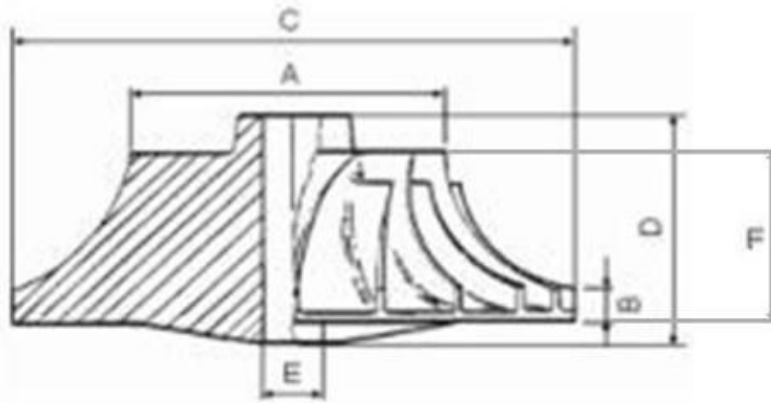
SLGT Turbo regulation for 4G63 engine, Maximum Measurements.



Impeller	Diagram	SPEC
Number of blades		6 taller+ 6 Short
A. Blade Upper diameter (taken as Inner diameter of the impellor housing at the narrowest)	Diagram I1	50mm
B. Blade outer height	Diagram I2	5.6mm
C. Impeller Diameter	Diagram I3	68mm
D. Impeller height	Diagram I4	31.5mm
E. Impeller side Shaft Diameter	Diagram I 5	6.6mm
F. Height of blades Tall Short	Diagram I6	22mm 16.4mm
Turbine		
Number of blades		12
A. Blade top diameter	Diagram E1	50.38mm
B. Blade height	Diagram E2	20.5mm
C. Blade bottom Diameter	Diagram E3	56.5mm
D. Turbine height	Diagram E4	25mm
E. Shaft Diameter	Diagram E5	9.2mm
GENERAL		
Bearing	Gen 1	Bush
Blades/Vanes		No Variable Vanes

**4.11.17 SL-GT up to 3500CC TURBO MEASUREMENTS – Maximum Dimensions.
APG-GT-02**

SLGT Turbo regulation for 4B11 engine, Maximum Measurements.



Impeller	Diagram	4B11 engine
Number of blades		6 taller+ 6 Short
A. Blade Upper diameter (taken as Inner diameter of the impellor housing at the narrowest)	Diagram I1	48mm
B. Blade outer height	Diagram I2	
C. Impeller Diameter	Diagram I3	68mm
D. Impeller height	Diagram I4	
E. Impeller side Shaft Diameter	Diagram I 5	
F. Height of blades Tall Short	Diagram I6	
Turbine		
Number of blades		12
A. Blade top diameter	Diagram E1	49.5mm
B. Blade height	Diagram E2	
C. Blade bottom Diameter	Diagram E3	56mm
D. Turbine height	Diagram E4	
E. Shaft Diameter	Diagram E5	
GENERAL		
Bearing	Gen 1	Bush
Blades/Vanes		No Variable Vanes

4.12 Class Specific Regulations for Group T&J

(Grade B License Holders Only)

Specific Rules & Regulations for SL-T&J Double and Single Cabs, SUVs and Other 4-wheel drive T & J vehicles

4.21.1 DEFINITION

Double Cabs, Single Cabs, Special Utility Vehicles and other four-wheel drive vehicles.

4.12.2 MODIFICATION

Modifications to Engine, Gearbox, Air Intake, Suspension and Braking System is Permitted, provided the engine is originally designed for/ or derived from any automobile of any make or model.

4.12.3 EXCLUSIONS

Motorcycle/boat/aircraft engines is not allowed.

Turbo, Rotary and super charged engines, are allowed , provided that it does not exceed the class limit for T and J Diesels up to 5500CC. For the Open event the Cylinder Capacity is not limited.

Number of Seats: Minimum 02 front mounted seats when being manufactured.

4.12.4 Safety Regulations – should conform to General Specifications

4.12.5 MODIFICATIONS BODY

All modifications permitted. However, any vehicle considered unsafe or not race worthy as deemed by the Chief Scrutinizer/ Stewards of the Meet or the Organizing Committee will not be permitted to participate.

4.12.6 TIRES

Tires are free. However Gravel tires should be used for gravel events only.

SECTION 5

FORMULA CARS

5.1 Formula McLarens 1300cc

Vehicle specifications are as per owner's manual (engine and chassis)

5.2 Modified Formula Cars up to 1665cc

Type and make of engine and chassis are free. All modifications are permitted.

5.3 Specific Regulations for Formula Ford 1600

GENERAL

As with all regulations, "UNLESS IT SAYS YOU CAN DO IT. YOU CANNOT".

5.3.1 DESCRIPTION

Four wheel, single seater racing car, as defined for Formula 3 (1985) and these regulations fitted with a Ford 1600cc GT "Kent" Engine.

5.3.2 SAFETY

These regulations are based on the current RACMSA Yearbook (Blue Book). All relevant end current RACMSA regulations apply. See Appendix 'A' for some of the more specific regulations.

5.3.3 CHASSIS

- (a) The chassis must be of tubular steel construction with no stress bearing panels except bulkhead and under tray, curvature of the under tray must not exceed 2.54cm. The under tray/floor (E 13.2.4) extends from the bulkhead forward of the pedals to the bulkhead between the fuel tank and the engine. Minocqua chassis construction is prohibited. Stress bearing panels are defined as, sheet metal fixed to the frame by welding or bonding or by rivets, bolts or screws which have centres closer than 15.25cm. Bodywork must not be used as stress bearing panels. The use of stabilized materials, composite materials using carbon and/or Kevlar reinforcement is prohibited.
- (b) Cars built after 1.1.87 and before 1.1.95 The internal cross section area of the cockpit from the driver's feet to behind his seat, shall nowhere be less than 700 cm² and a minimum width must be 25cm over the whole length of the cockpit. The only intrusion permitted into the cross sectional area being the steering column.
- (c) Cars built after 1.1.95 The free internal cross section of the cockpit from the soles of the driver's feet to behind his seat shall at no point be less than 700cm². The only thing which may encroach on this area is the steering column. A free vertical section of minimum 25cm width maintained to a minimum height of 25cm with corners of maximum 5cm radius must be maintained over the whole length of the cockpit with the steering wheel removed. The driver normally seated in his driving

position with the seat belts fastened and the steering wheel in place must be able to raise both legs together such that his knees reach the plane of the steering wheel in the rearwards direction: this action must not be obstructed by any part of the car.

- (d) Cars built after 1.1.87 The soles of the feet of the driver, seated in the normal driving position and with his feet on the pedals in the inoperative position, shall not be situated to the fore of the vertical plane passing through the centre line of the front wheels.
- (e) No engine oil or water tubes are permitted within the cockpit.
- (f) Cars built after 1.1.95 -The chassis must include an impact-absorbing structure fitted ahead of the front bulkhead of the tubular steel frame. This structure must be independent of the bodywork and must be solidly fixed to the extremities of the bulkhead (i.e. with bolts requiring tools for removal). It must constitute a box of 30cm minimum length, 15cm minimum height in any vertical section and 400cm² minimum total cross section. It must be metallic using honeycomb sandwich construction with a panel thickness of 15mm minimum. It is recommended, but not mandatory, that this safety feature is fitted to older cars.
- (h) Cars built after 1.1.96: Must be built with a LATERAL PROTECTION STRUCTURE, defined as continuous panels whose projection on a vertical plane parallel to the longitudinal axis of the car shall be at least 15cm high, shall extend on either side of the car, at a minimum distance of 55cm from the car's longitudinal centre line between at least the transverse planes passing through the fuel tank rear face and the frontal extremity of the minimum cockpit opening, and at a minimum distance of 35cm from the car's longitudinal centre line between at least the transversal planes passing through the above extremity and the front rollover bar hoop. These panels shall be made from a composite material of 30cm² minimum cross section with a honeycomb core in metal giving adequate resistance to compression. The external skins shall be of aluminum alloy of a minimum thickness of 0.5mm or made up of another assembly of materials of equivalent efficiency. The panels must be securely attached to the bottom and at the upper extremity to the main structure of the car in such a manner as to ensure absorption of a lateral impact. The radiators may play the role of protective panels or of transversal struts. The periphery of the bodywork covering the Lateral Protection Structure, when viewed from below, must be curved upwards with a minimum radius of 5cm, and a maximum radius of 7cm with the exception of air entry and exit openings into the Lateral Protection Structure. The floor of the side pod must reject the plan of the upper surface. The floor is to be in the same plane as the under tray in both directions, i.e. transverse and longitudinal, subject to all points being within 2.54cm of any flat plane situated under the car (see Art 3.1).

5.3.4 BODYWORK

See table of single seater dimensions. (Appendix "B"). The use of composite materials using carbon and/or Kevlar reinforcement is prohibited. Bodywork is not required behind the vertical plane taken through the front of the topmost portion of the roll over structure. If bodywork is used it must conform with the following regulation.

- (a) Any device designed to augment aerodynamically the down thrust on the vehicle is prohibited, as are aerofoils, nose fins or spoilers of any type.
- (b) For cars built after 1.1.87 The engine cover must not extend rearwards past the rearmost point of the gearbox housing (no gearbox extensions permitted). The shape of the cover must not include any reflex curves and no flat surfaces are permitted within 15° of the horizontal.
- (c) For cars built after 1.1.87 The lower rear bodywork (located below the wheel center line) is only permitted alongside and beneath the engine and can only extend from behind the cockpit to a line drawn through the rear axis. The incorporation of suspension or other fairings in this bodywork or separately is prohibited.
- (d) It is not permitted to construct any suspension member in the form of an aero foil or to incorporate a spoiler in the construction of any suspension member.
- (e) All cars must have at least two mirrors mounted so that the driver has visibility on both sides of the car (minimum surface area of each one: 55cm².)
- (f) For cars built after 1.1.95 Cockpit opening: The opening giving access to the cockpit must allow a designated horizontal template to be inserted vertically into the cockpit (not considering the steering wheel) down to 25mm lower than the lowest point of the cockpit opening. This template is defined by dimensions J,K,L in Appendix "B".
- (g) See also Lateral Protection Structures.

5.3.5 ENGINE

GENERAL

- (a) Engines will be mounted upright, and aligned fore and aft in the chassis.
- (b) The addition of any material be it metal, plastic or composite etc. by any means be it welding, bonding, encapsulation or encasement to any component is prohibited. However, specific repair of the mounting points of the cylinder block to the transmission or chassis are allowed, whilst other casting repairs may be allowed with prior written approval of the Technical Commissioner responsible for the Formula.
- (c) Balancing of reciprocating and rotating parts is permitted only by removal of metal from locations so provided by the manufacturer.

- (d) Pump, fan and generator drive pulleys and their retention bolts, washers and belts are free.
- (e) Mechanical tachometer drives may be fitted.
- (f) Generators are optional.
- (g) The use of non-standard replacement fasteners, nuts, bolts, screws, studs and washers which are not connected with, or which do not support, any moving parts of the engine or its compulsorily retained accessories is permitted. Freedom granted to any fastener does not allow for freedom to move items relative to each other. For components that are granted the freedom for the fitment of a key or dowel, then material may be removed to allow the fitting of the key or dowel. Only one hole or keyway per component is allowed.
- (h) The use of thread locking compounds is permitted.
- (i) Gaskets are free except for the cylinder head, intake and exhaust system gaskets which must be standard Ford manufacture for the engine, and inlet manifold to cylinder head gasket which must be of approximate production thickness (see 5.2e).
- (j) Any process of cleaning may be used on any component providing the surface finish, which must remain standard, is not affected.
- (k) Forced induction is prohibited. Ram Air generated by the forward motion of the car is not considered as forced induction.
- (l) The exterior surfaces only (of the complete engine assembly) of ferrous parts and the exterior surface of the aluminum Rocker Cover may be protected by paint or similar means. No internal component or surface may be coated by any protective finish. Other Ford produced aluminum components may be protected only on their external surfaces by a transparent clear varnish, or similar.
- (m) Part numbers quoted were correct at the time the regulations were drafted. However, as with all companies, the Ford Motor Company Limited reserve the right to make changes to components for reliability or other reasons. Consequently, the part numbers quoted may be superseded by later released parts. Full Ford part numbers do not necessarily appear on all parts.

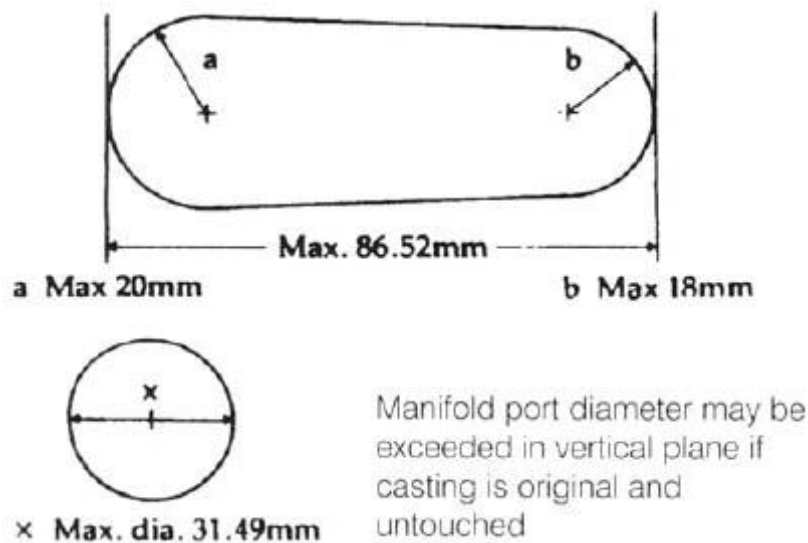
5.3.6 PERMITTED ENGINE

The only permitted engine is the Ford 1600 GT "Kent" (also referred to as

Mark II Escort 1600 "Sport") with a nominal bore 81 mm and stroke 77.6mm. Production tolerances are permitted providing the total swept volume does not exceed 1600cc.

5.3.7 INDUCTION

- (a) The air cleaner may be removed or replaced and a trumpet fitted.
- (b) Carburetor Type: Weber 32/36 DGV and DGAV (from 1600 GT "Kent" or 2000 SOHC NE engine). Number on engine 1 Number of Main Venturi 2 Maximum dia. of Main Venturi 26.0/27.0mm Maximum dia. of carb outlet to inlet manifold 32.0/36.0mm.
- (c) It is permitted to change jets, open both throttles together, remove cold start devices and diffuser bar, fit internal and external anti-surge pipes, remove seals on emission control carburetors. No other modifications are permitted, chokes must remain standard and no polishing or profiling is permitted. Any means of reducing intake air temperature is prohibited. Any form of water injection is prohibited.
- (d) Inlet manifold: standard Ford production inlet manifold for 1600 GT "Kent" engine. The carburetor seat face may be machined to horizontal in the fore and aft plane. The water passage must remain intact but may be blanked off or plugged. The manifold may be machined externally to clear the throttle mechanism in the use of both throttles being opened together.
- e) Carburetor to inlet manifold gasket Thickness 5.7mm \pm 0.35mm Inlet manifold to cylinder head Thickness 0.86mm (max)



5.3.8 EXHAUST SYSTEM

- (a) The exhaust system and manifold are free, within Vehicle Regulations.
- (b) A mandatory silencer, Ford Part No. 9095317 (or old unit 9094277) must be fitted.

5.3.9 CYLINDER BLOCK

- (a) It is permitted, as means of repair, to replace damaged cylinder bores with cast iron cylinder liners, all to standard dimensions.
- (b) Localized machining of the cylinder block is permitted to allow fitting of the dry sump system.
- (c) The crankcase breather may be altered or removed, but all breathers must discharge into a catch tank.
- (d) May be machined to maintain deck height.

5.3.10 CYLINDER HEAD (INCLUDING VALVES AND VALVE GEAR)

- (a) Non-standard rocker covers are permitted providing they in no way improve the performance of the engine. Water passages are not permitted in rocker covers.
- (b) Standard valve spring retainers must be used, only single valve springs are permitted. Shims are permitted, otherwise valve springs are free.
- (c) Push-rods, rockers, tappets, pedestals and shafts must remain standard except that recon touring of the valve stem contact pad on the rocker arm is permitted providing the maximum specified lift at the spring cap is not exceeded. Rocker shaft springs are free.
- (d) Maximum permitted lift at the spring cap with zero tappet clearance: inlet 9.042mm, exhaust 9.093mm. Maximum permitted lift at the top of the push rod: inlet 5.917mm, exhaust 5.943mm.
- (e) Valves must remain standard, no profiling or polishing is permitted. The original 45° seat angle must be maintained. Distance apart at centers 39.12 ± 0.5 mm. Maximum face diameter, inlet 39.62mm; exhaust 34.00mm.

Overall length inlet 110.92 ± 0.5 mm. Overall length exhaust 110.61 ± 0.5 mm. Valve stem seals are optional.

- (f) It is permissible to reshape inlet and exhaust ports by removal of metal within limits. Addition of material in any form is prohibited. Maximum port diameter at manifold face: inlet 36.12mm, exhaust 29.41mm. Inlet and exhaust port diameter may be exceeded if the original casting is visible and untouched at the gasket face.
- (g) It is permitted, as means of repair, to replace damaged valve guides and valve seats by replacement valve guides and valve seat inserts, all to standard dimensions.

5.3.11 COMPRESSION RATIO

(a) The maximum compression ratio will be controlled as follows:

(Minimum combustion volume in piston 41cc (with piston at TDC in cylinder and no account taken of volume down from the crown to the top piston ring).

- (ii). Standard Ford cylinder head gasket Part No. 781M 6051 AA / 931M 6051 AA minimum. Compressed thickness 0.85mm, minimum diameter of cylinder head aperture 82.50mm.
- (iii). Pistons must not protrude above the cylinder block face at TDC. The cylinder block surface may be machined.
- (iv). Maximum permitted protrusion of the valves into the combustion chamber 1.2mm.

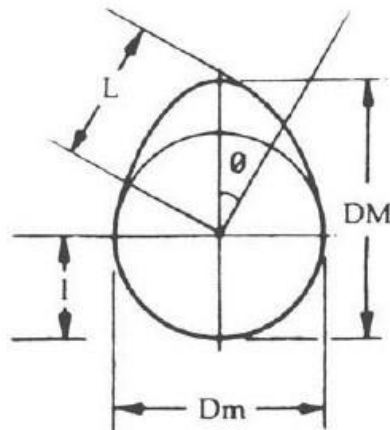
5.3.12 CAMSHAFT

- (a) The only permitted camshaft is the Ford production camshaft for the 1600 GT "Kent" engine.
- (b) The camshaft must remain entirely unmodified. It must be fully manufactured and ground to the Ford Motor Company profile. It is prohibited to grind from blanks, regrind or profile. Tuft riding or Parkerizing is permitted. Shot peening, shot blasting or polishing are prohibited. Offset dowels are permitted.
- (c) The cam profile is defined by determination of lift (L-I) against a flat footed follower at various angles (θ). Maximum lift at all points on the camshaft must not be exceeded.

Standard Ford tolerances apply to the following camshaft drawing:

Dimension	Symmetrical	
	Inlet	Exhaust
DM (max)	33.60mm	33.65mm
Dm	27.78mm	28.15mm
Lift at 0°	5.37mm	5.89mm
Lift at 5°	5.81mm	5.85mm
Lift at 10°	5.64mm	5.67mm
Lift at 15°	5.38mm	5.41mm
Lift at 20°	5.00mm	5.03mm
Lift at 30°	4.01mm	4.04mm
Lift at 40°	2.69mm	2.77mm
Lift at 60°	0.46mm	0.61mm
Lift at 90°	0.05mm	0.20mm

Angle between major axes of inlet and exhaust cams:
109°.



5.3.13 PISTONS

- (a) Pistons must be standard Ford production pistons for the 1600cc engine, unmodified in any way except for balancing and as detailed.
- (b) All three piston rings must be fitted, piston rings must be standard production or similar replacements, i.e. the compression rings must be one piece, with conventional plain gaps, chromium plating of the top ring is optional, the oil control rings must be either single piece twin land type or apex three piece (two rails and an expander). Molybdenum faced top compression rings are permitted.
- (c) Localized machining of the bowl including valve relief and gudgeon pin bosses of the piston to achieve volumetric and weight balance and minimum weight is permitted. Minimum weight complete with piston rings and gudgeon pin: 520gm, weight of gudgeon pin: 115 ± 2.0gm.

5.3.14 CONNECTING RODS

- (a) Connecting rods must be standard Ford Part No. 2737E 6200 B. Machining is permitted to remove metal from the balancing bosses on the big-end cap and at the little end to achieve balance only.

Polishing is prohibited. Minimum weight (including bolts and small end bearing) 640gm.

5.3.15 CRANKSHAFT

- (a) A standard crankshaft must be used. Spot machining to achieve balance is permitted. Tuft riding, shot peening and shot blasting are permitted. Polishing is prohibited. Crankshaft minimum weight:
11.2kg.
- (b) Crankshaft pulley is free as is tooth belt drive.
- (c) It is not permitted to alter the number of bearings or □t bearings of less than standard production width.
- (d) Standard oversize and undersize bearings are permitted.
- (e) The rear main journal may be fillet rolled in the radius.

5.3.16 FLYWHEEL AND CLUTCH

- (a) The flywheel and clutch assembly must be standard components. To achieve minimum weight and balance, material may be removed from the originally machined surfaces, rim/flange etc. For rectification, the clutch mating face may be resurfaced. Cast surfaces must remain in original condition. It is permitted to use a similar pattern replacement clutch (i.e. conventional single diaphragm spring) driven plate with shock absorber springs. Organic friction material only is permitted. Racing clutches are prohibited.
- (b) Flywheel bolts are free and locating dowels are permitted.
- (c) It is permitted to secure the starter ring to the flywheel.
- (d) Flywheel and clutch assembly minimum permitted weight: 13.16kg.
(Including all flywheel and crankshaft mounting bolts).

5.3.17 LUBRICATION SYSTEMS

The lubrication system, external to the engine, is free. Existing standard production oilways, linings or oil grooves may be enlarged or reduced, but no additional ones are permitted. Standard friction surfaces must remain unchanged. Dry sump is permitted, oil coolers are free.

5.3.18 COOLING SYSTEM

- (a) A liquid cooling system is mandatory but radiator and water pump are free.
- (b) The radiator, if housed in or incorporating a cool air scoop or detector, must comply with bodywork regulations.

5.3.19 FUEL PUMP

- (a) Only the standard mechanical fuel pump for the engine is permitted.
- (b) Fuel pipes are free. Fuel cooling radiators are permitted, within safety regulations, but must be mounted within the main chassis frame.

5.3.20 DISTRIBUTOR

- (a) Distributors are free providing they retain the original drive and location.
- (b) The distributor is defined as the component which triggers the LT current and distributes the HT ignition current. The ignition timing may only be varied by vacuum and/or mechanical means. It is prohibited to use any other method or component to trigger, distribute or time the ignition.
- (c) It is permitted to mount a simple indicating pointer to the engine to facilitate the timing of the distributor with respect to the crankshaft/flywheel.

5.3.21 SUSPENSION

- a). The following parts must be of alloy steel or other ferrous material: wishbones, rockers, push and/or pull rods. All other stress bearing components must be metallic with no composite materials allowed. It is permitted to incorporate suspension mounting points on the engine and transmission assembly.

Active suspensions are prohibited, as is any system which allows control of the flexibility of the suspension springs, shock absorption and trim height when the car is moving.

- (c) Anti-roll bars for front and/or rear suspension may be capable of manual adjustment by the driver when seated in the car.
- (d) Simple ovalised tubes which have the same section top and bottom are not considered to be an aero foil.

5.3.22 BRAKES

Only brake discs made predominantly from Ferrous material are permitted. Calipers must be of Ferrous material with a maximum of two working cylinders per calmer. Brake pad materials, including carbon metallic, are free.

5.3.23 SHOCK ABSORBERS

Light alloy casings and/or separate reservoirs for fluid/gas are prohibited, otherwise free. Any form of active damping is prohibited. Any method of altering the damper performance by the driver whilst seated in the car is prohibited. The shock absorber casing is defined as the item which contains the piston, fluid/gas, and moving parts which control the damping action.

5.3.24 STEERING

The steering must consist of a mechanical link between the driver and the wheels, rear wheel steering prohibited, otherwise free.

5.3.25 WHEELS & TYRES

- (a)** 13 inch diameter steel wheels with a maximum rim width of 5.5 inch are the only wheels permitted. They must be of standard manufacture but the off-set may be altered. (It is recommended that weekly checks for cracks be carried out and that the wheels be replaced twice a year).
- (b)** The only tyres permitted are those listed in the Sporting Regulations for the event. Minimum tread depth 1mm at the start of each practice session and race.
- (c)** Tyre warmers are not permitted. Tyre covers whose only function is to protect the tyre in the paddock area are allowed. Tyre warmers found at the circuit will be judged to be available for use.

5.3.26 TRANSMISSION

- (a)** The gearbox must contain not more than four forward gears and include an operable reverse gear, capable of being engaged by the driver whilst normally seated. The ratios are free.

Rear wheel drive only is permitted.

- (c)** Final drive ratio is free.
- (d)** Torque biasing, limited slip and locked differentials are prohibited. Non-ferrous differential components prohibited.

- e). Gear change must be manual in operation. The gear change must use the conventional 'H' pattern gear change gate. Any gear change mechanism that only allows sequential selection of gears is not permitted.
- (f) The only position for the main gear cluster will be wholly behind the rear axle output shaft center line, and in line with the crankshaft center line. Transverse, vertical, or other non in-line configuration will not be allowed.

5.3.27 FUEL SYSTEM

- (a) Tanks outside the chassis frame must comply with FIA Spec Ft3.
- (b) Inboard tanks, covered externally with a fireproof coating, are acceptable for events of less than 70km.
- (c) Protection must at all times comply with J20.1.1 and E 13.2.3 (Bulkheads). A metal tank coated with GRP does not comply.
- (d) Maximum capacity 41 litres unless carried in FIA spec FT3 tank or better.
- (e) No fuel can be used which exceeds BS 7800: 1992 (Super Unleaded), or BS 4040 (Premium Leaded) or equivalents outside the UK. A mixture of fuels is not allowed. Event regulations are allowed to specify a single source fuel which meets these minimum standards, but do not exceed it.

5.3.28 STARTING

- (a) Compulsory electric starter with electrical source of energy carried on board the car, and able to be controlled by the driver when normally in his seat.
- (b) A supplementary external source of energy temporarily connected to the car may be used to start the engine whilst in the pit area.

5.3.29 WEIGHT

Minimum car weight at any time during the competition 420Kg

5.3.30 ENGINE SEALING

All engines should have provision for scrutineer's wire seals. 1/16 inch dia. holes predrilled in readily accessible locations on installed engines must be available. Failure to comply renders the entrant liable to a fine.

- (a) Sump - two holes through the cylinder block/ sump joint flange, one either side of the engine.
- (b) Timing Cover - at least two retaining screw heads must be cross drilled.
- (c) Rocker Cover - at least two retaining screw heads must be cross drilled.
- (d) Inlet Manifold - at least two retaining bolt heads to the cylinder head must be cross drilled.
- (e) Carburetor - at least two retaining nuts to the cylinder head must be cross drilled.
- (f) Bellhousing - at least two retaining bolts to the engine must be cross drilled to enable clutch and flywheel to be adequately sealed, OR competitors must be prepared to remove either engine or transmission to enable sealing of clutch and flywheel in which case at least two clutch cover retaining bolts must be cross drilled. Failure to comply renders the engine ineligible.

5.3.31 MISCELLANEOUS

- (a) Use of titanium, high strength composites, and similar materials is prohibited.
- (b) Electronic dashboards and Data logging equipment are allowed subject to them having no influence whatsoever on the behavior of the car during competition. All information obtained from any Data logging or storage equipment shall be made freely available to the Scrutineer on request.
- (c) Competitors are reminded that only modifications or additions specifically covered by these regulations are permitted. Engine components not covered by these regulations must remain completely standard and unmodified. In cases of dispute on engines, reference will be made to Ford Motor Company Limited drawings.
- d). Vehicles defined in these regulations are required to comply with the section of the RAC MSA yearbook covering General Vehicle and Race Vehicle which apply to single seater racing cars, a summary of which is given in

5.4 FORMULA FORD 1600 - PRE-1975

5.4.1 DESCRIPTION

Single seater racing cars complying with current Formula Ford 1600 regulations, and these regulations, manufactured prior to 1st January 1974.

5.4.2 CHASSIS

The chassis specification must remain fundamentally unaltered from original manufacture. Wheelbase, Track, and pick-up points must remain to manufacturers specification.

5.4.3 PERMITTED MODIFICATIONS

To current Formula Ford-1600 regulations.

- (a) Any modification of which the primary purpose is safety or driver comfort.
- (b) Bodywork is free within FF-1600 dimensions.
- (c) Coil springs, shock absorbers, anti-roll bars and steering rack are free providing they fit to the same original locations.
- (d) Wheel off-sets may be varied to alter track dimensions by a maximum of 3 inch.
- (e) All transmissions in production before 1st January 1974 in FF are permitted.
- (f) Make and type of drive shaft is free.
- (g) The number, type and location of radiators is free.

5.4.4 MISCELLANEOUS

- (a) Cars may be updated to the specification of the latest model built by the manufacturer which appears in the list of eligible vehicles (e.g. Merlyn Mk1 1A up to Mk24 specification).
- (b) ELIGIBLE CARS if built prior to 1st. January 1974
 - Alexis Mk 1 4B to 24B Cougar
 - Crossle 1 6F & 20F DRW Mk8
 - Dulon LD4, LD4A to LD4C, LD9, MP15 & MP1 5B
 - Eldon Mk8, Mk10 to 1 0C Ginetta G18, G1 8B Hamlen Ff69
 - Hawke DL2A, DL2B, DL9, DL10, DI11
 - Huron FF Image FF1 Jamun T2, T3 Jomic Mk2A Jomo
 - Lola Mk5A, T200, T202, T204 Lotus 51, 61, 61M, 61R, 61X, 69
 - Macon Matek McNamara
 - Merlyn Mk9, Mk11A, Mk17, Mk17A, Mk20A, Mk24
 - Mirage M5 Mistrale
 - MRE FF72, FF73 U2 Mk9
 - Nike Mk10B (prior to 1.1.74) Nomad KH/FF16



SRI LANKA AUTOMOBILE SPORTS

FURTHER IMPROVEMENTS AND UPGRADING TO THE REGULATIONS WILL BE FORMULATED IN ACCORDANCE TO THE RACE YEAR 2019 AND IMPLEMENTED IN 2020.

ALL SUPPORTING DOCUMENTS CAN BE DOWNLOADED VIA
www.slas.lk